



LIFE IN RETAIL

Assignment 2
Winter 2021
Jenna Morlock



CONTENTS

BRANDING/CONCEPT

CLIENT PROFILE

BRANDING

CONCEPT

IDEATION

FURNITURE PLAN

LIGHTING CONCEPT

CONCEPT

LIGHT MAPS

LIGHTING SELECTIONS

TECHNICALITIES

CONTROL SYSTEMS

RCP

SWITCHING PLAN

ELP

LPD CALCULATIONS

RENDERINGS

COMPANY SPEC SHEETS

SCAD

CLIENT PROFILE

MOST POPULAR PROGRAMS



ILLUSTRATION



ANIMATION



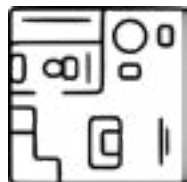
FILM



FASHION & FIBERS



PHOTOGRAPHY



BUILDING ARTS



GRAPHIC DESIGN

14,086 students
11,508 undergrad
2,578 graduate
Approx. 65% 21 & under
Extremely diverse
with about a 1:3 male
to female ratio and
students from all over
the world.

“At SCAD, the study of fashion is as robust, international and multifaceted as the industry it prepares students to lead.” -SCAD.EDU



FASHION WEEK

World renowned fashion show and events hosted each year by SCAD at the Savannah location.



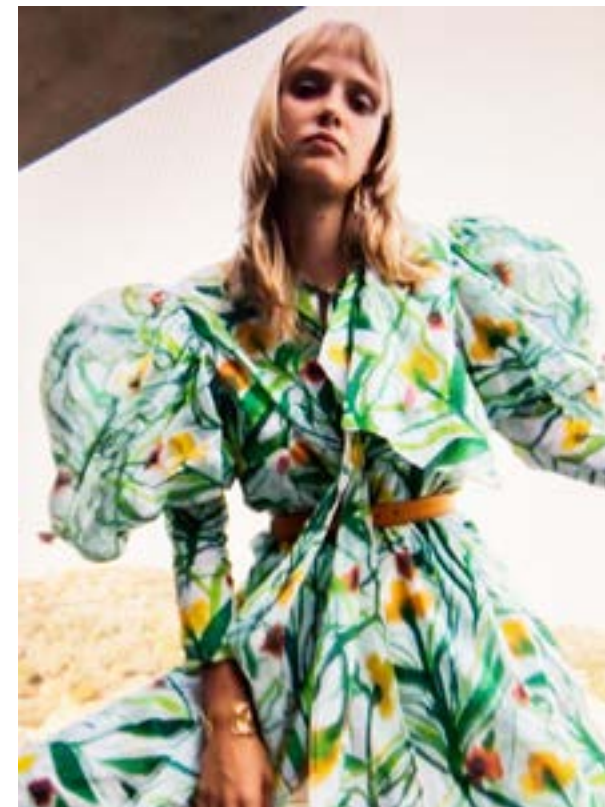
BRANDING

Open
Natural
Light
Innovative
Sleek
Modern
Sustainable
Bright
Lively

STUDENT WORK

THOUGHTS

Store inspired by student & show fashion trends.
Works on exhibit.
Vibrant SCAD aesthetic.
Patio curb appeal.
Instagram moments.
Communal & intimate moments.
Suited for students & public.



LIFE IN RETAIL

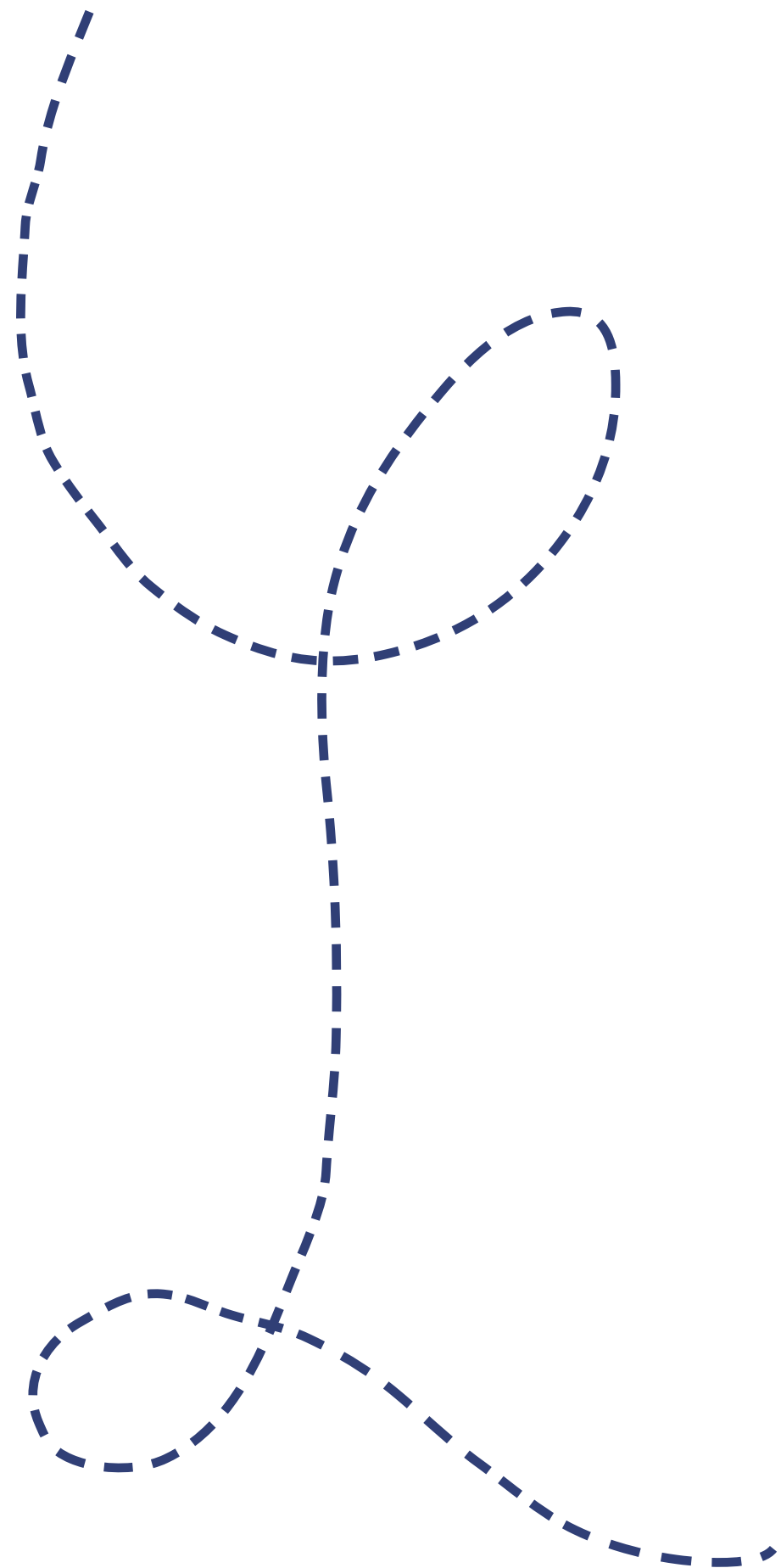


GENUINE

UNIQUE

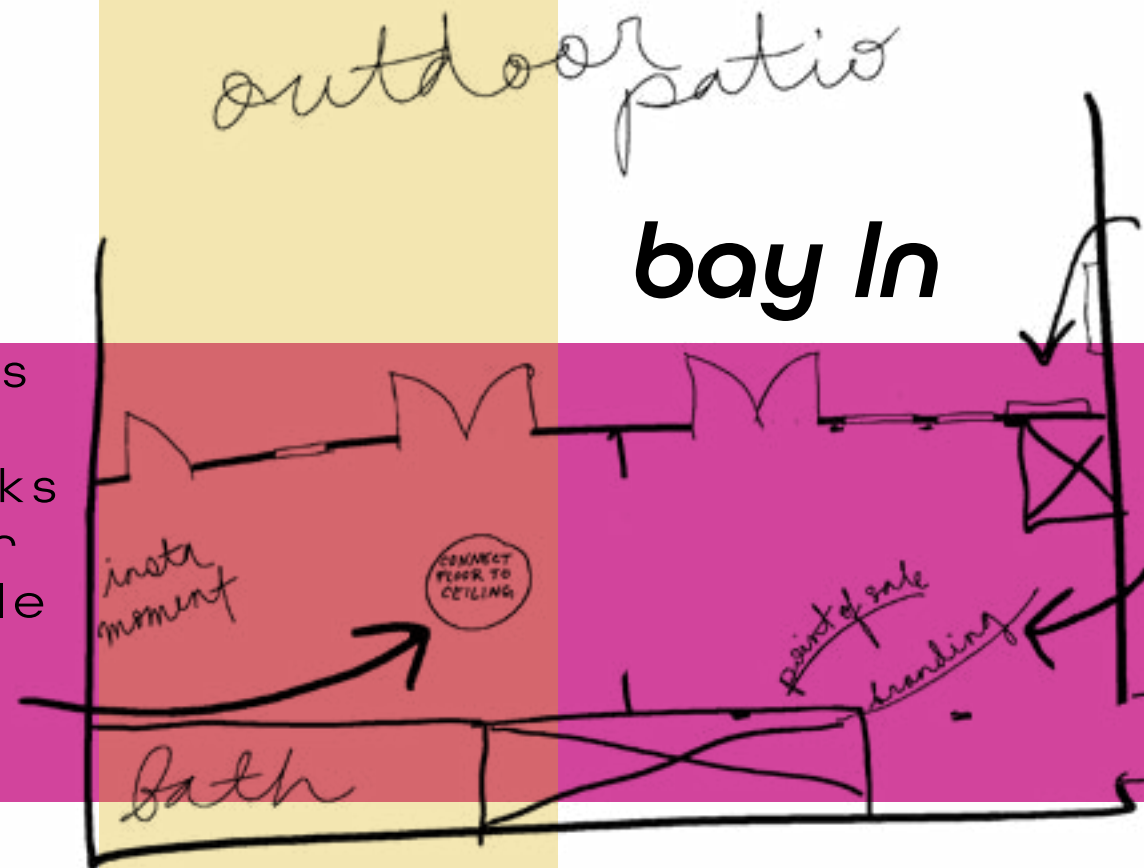
LIVELY

In all art forms, an understanding that everything derives from life is necessary. Crossing boundaries to promote this essence between the natural and man-made is a core part to both fashion and retail design. In SCAD's new store we are striving to bring you to connect with culture, yourself, and your environment bringing a new type of experience to retail.



IDEATION

Biophilic installations above display racks promote air quality while pushing a naturally sublime aesthetic.

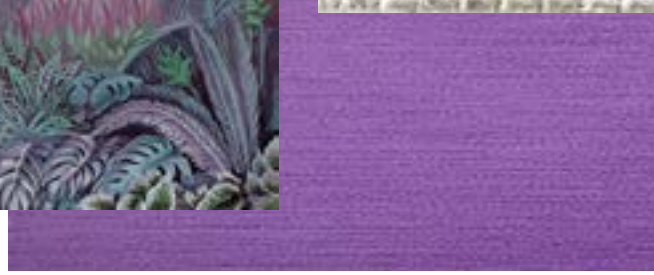


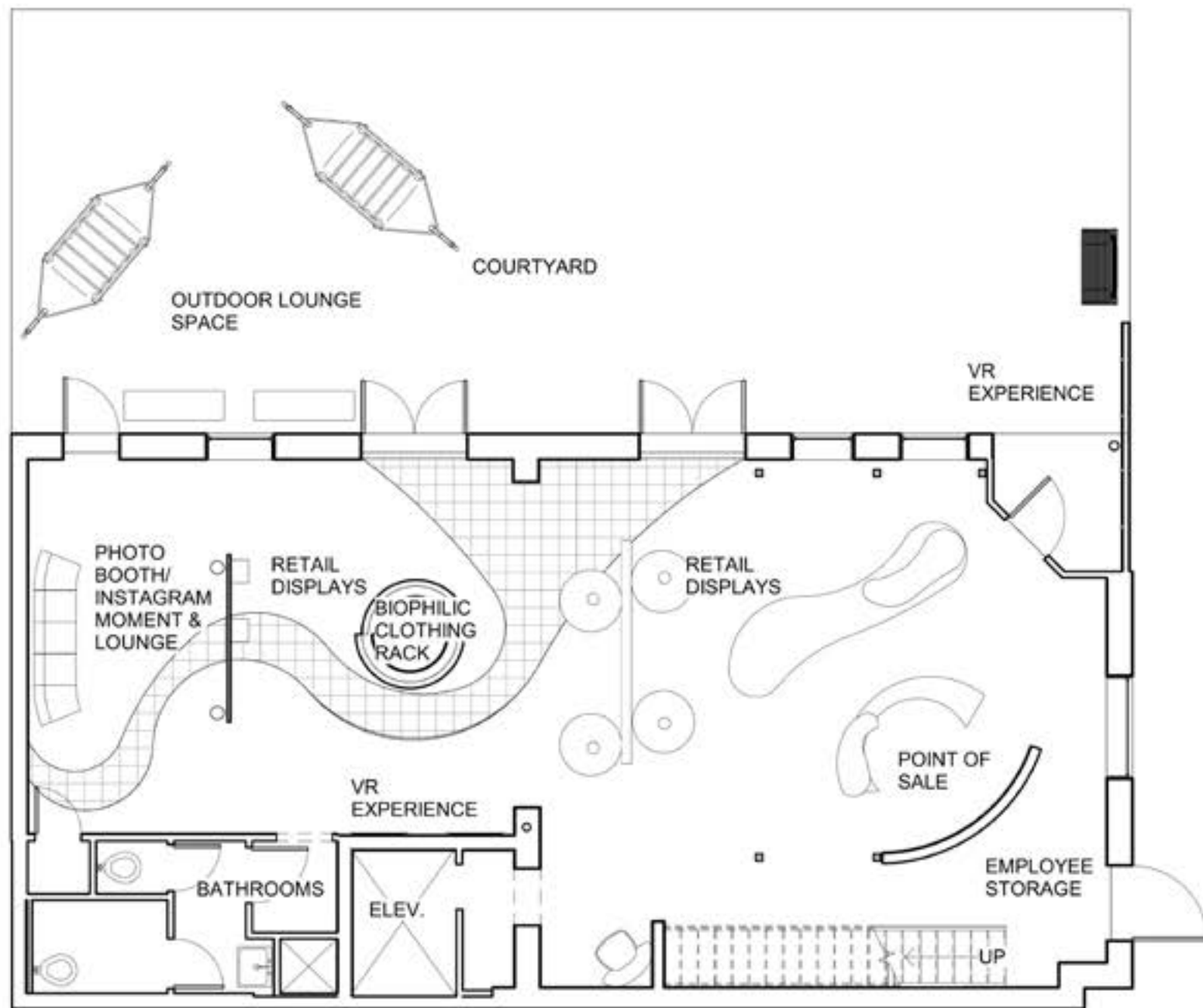
bay In

Immersive VR experience to try on styles in an innovative and captivating moment.

Curved walls create a semi-transparent, art nouveau barrier for private employee space and storage.

drayton st





1 FIRST FLOOR
1/8" = 1'-0"

SCAD

9 DRAYTON ST.
SAVANNAH, GEORGIA 31401

FURNITURE
PLAN

DATE: 1/24/2021

DRAWN BY: JENNA MORLOCK

CHECKED BY: CHRISTINE VAN DUYN

IA 101

LIFE IN LIGHT

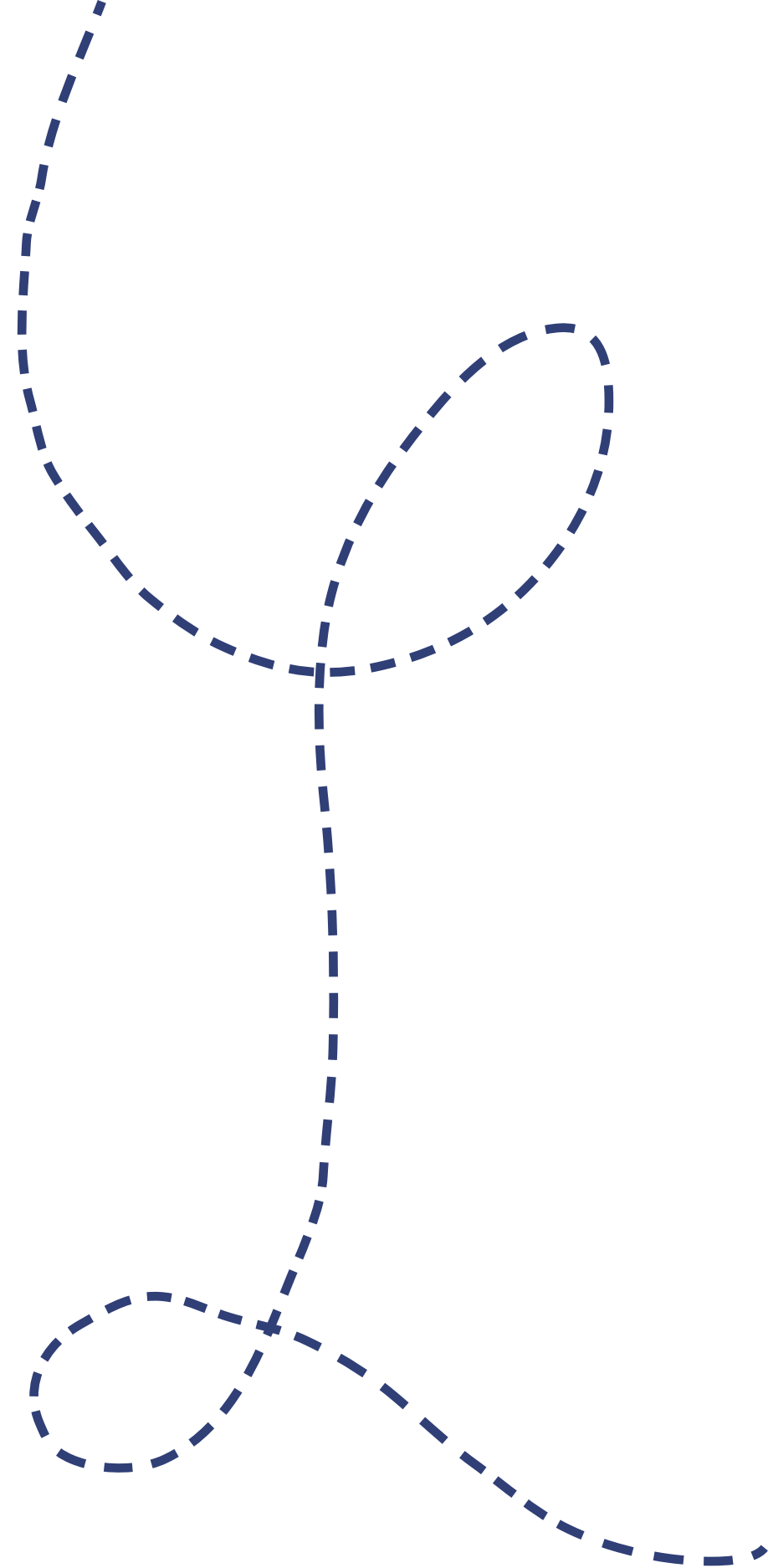


GENUINE

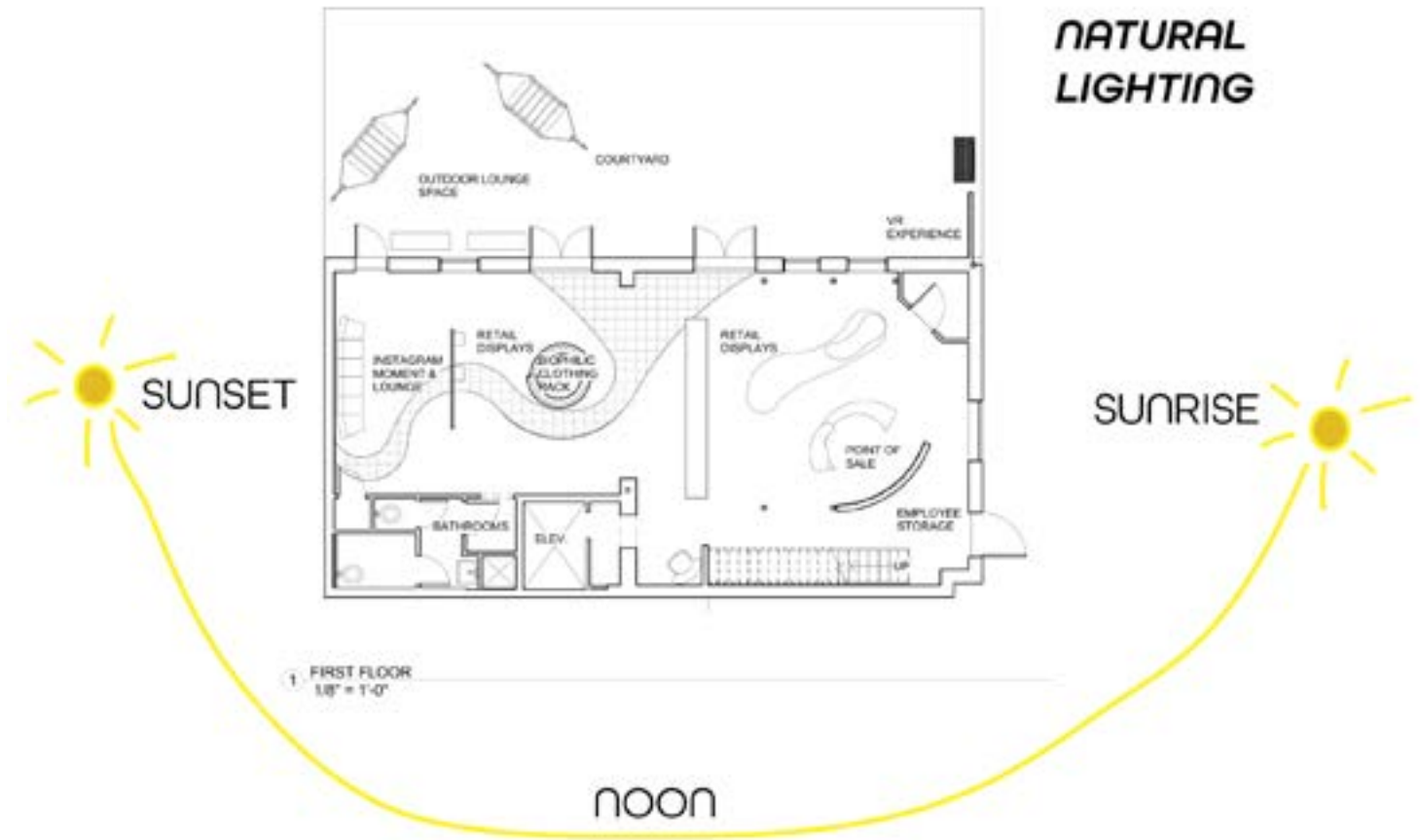
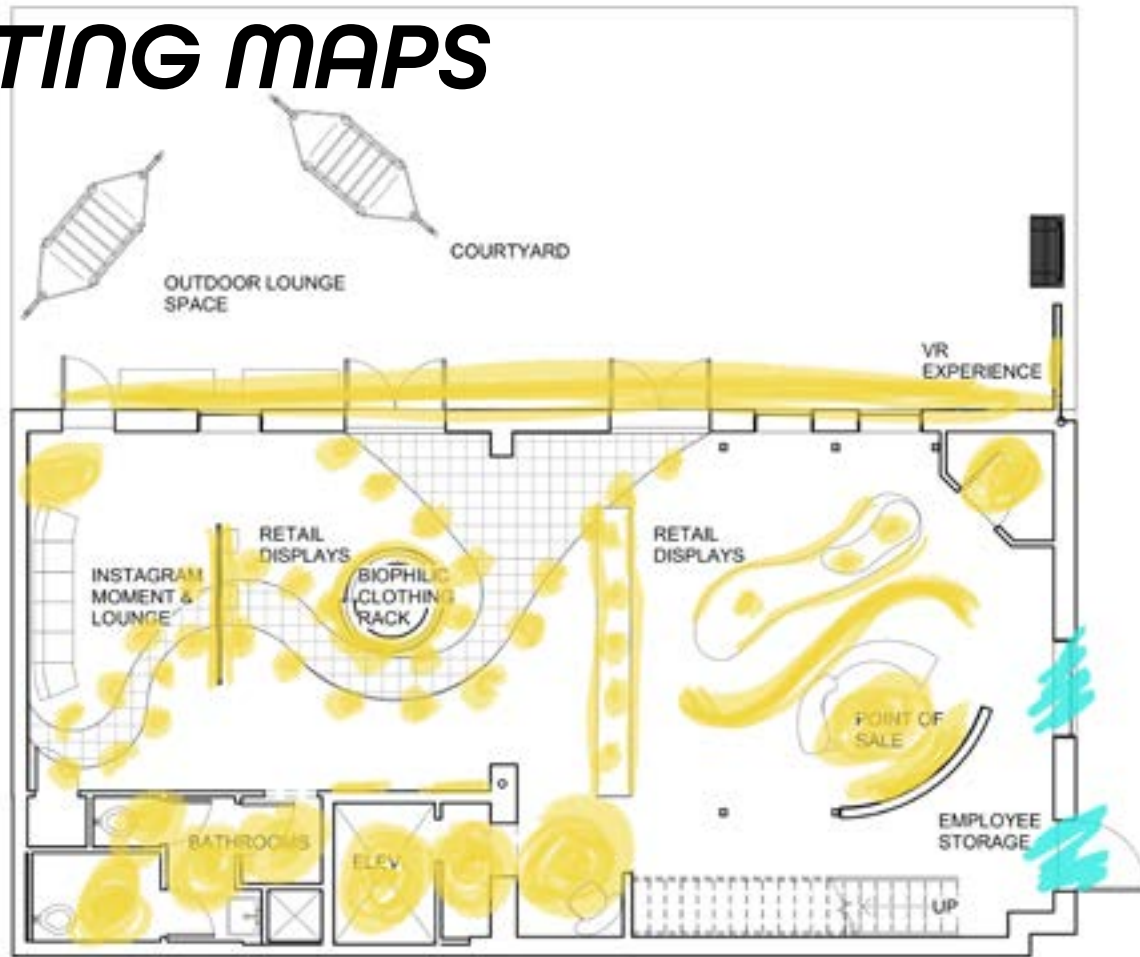
UNIQUE

LIVELY

Light and life are both knowingly derived from energy. This common thread can create experiences beyond our usual perception of the impact light has on our mood and understanding of a space. With life in light this connection is pushed in every corner moving you through the space in an excited spirit. Color, illusion, and contrast elevate every moment.



LIGHTING MAPS



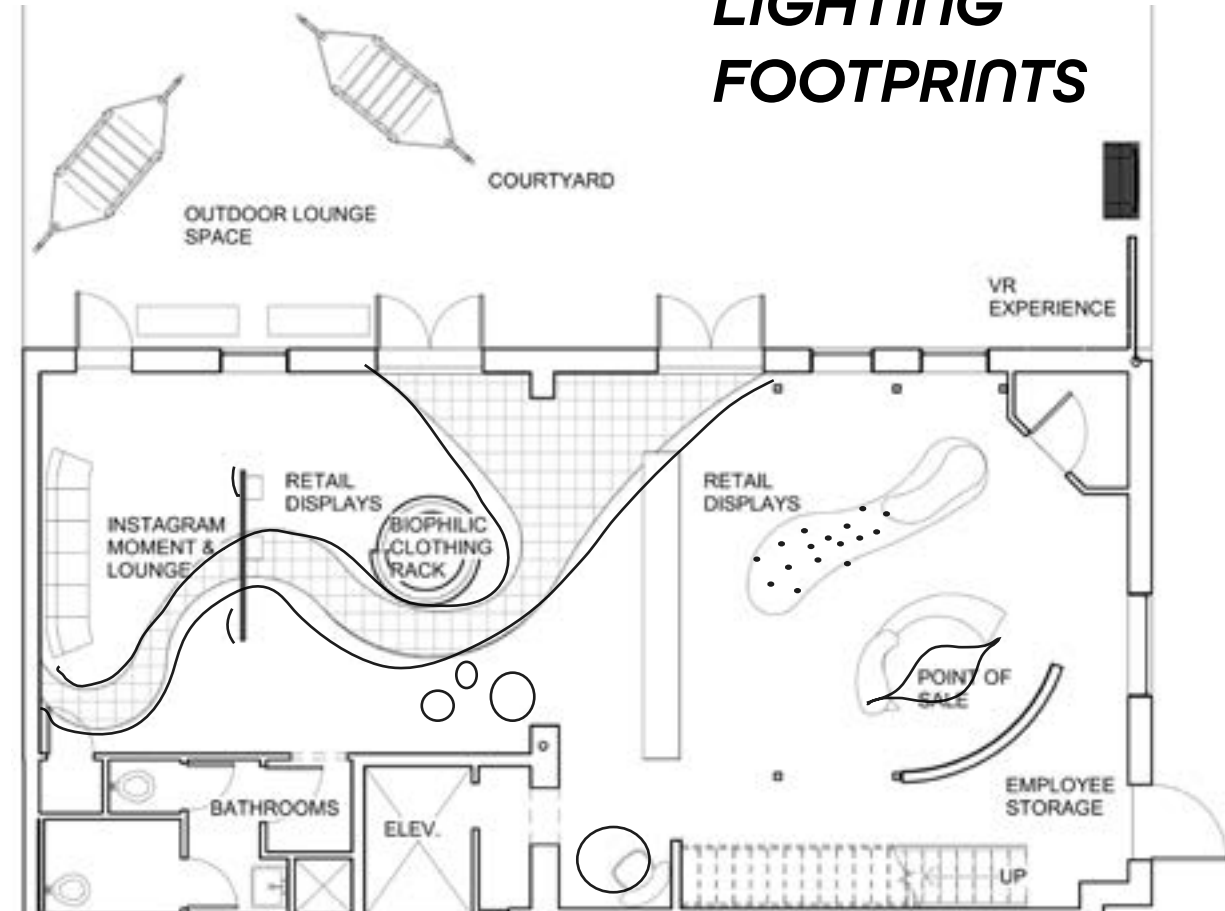
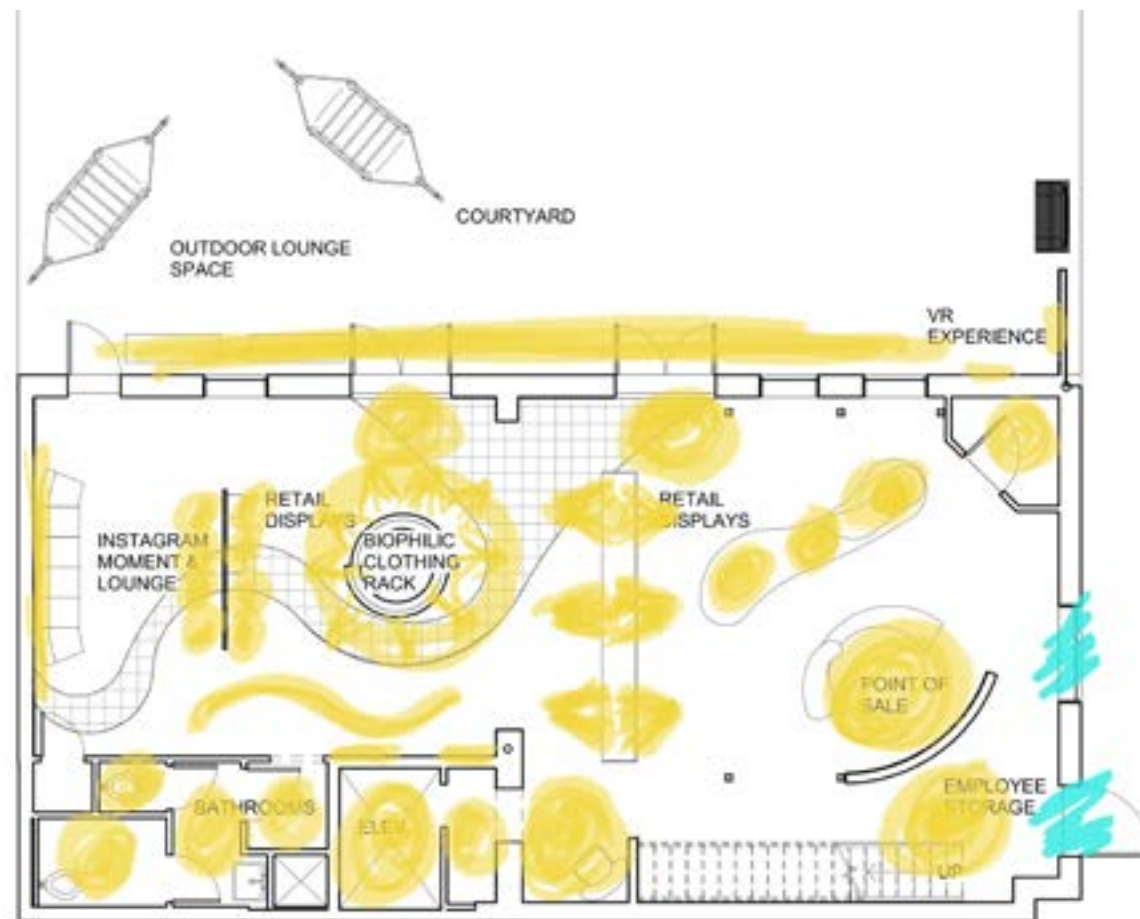
NATURAL LIGHTING

SUNSET

SUNRISE

noon

LIGHTING FOOTPRINTS



LIGHTING SCHEDULE

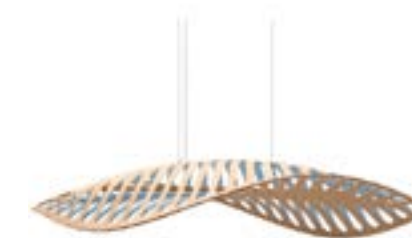
DELTA IV // RBW
UL LISTED
50K HOURS LED LIFESPAN, DIMMABLE
PERFORMANCE; 565LM, 12W POWER CONS. 12W LUMINAIRE WATTS, 44LM/W, 90CRI
WEIGHT; 10.5LBS
DIMENSIONS; 72" SUSPENSION, 32 X 15"H



SINGLE DOME PENDANT // KARTELL
UL LISTED
ACCOMODATES 1 X 25W BULB, BULB BASE E26/MEDIUM
PERFORMANCE; 120V, 25W/BULB MAX
DIMENSIONS; 12"-80" ADJUSTABLE SUSPENSION, 13"H X 20.5" W X 20.5" D



NAVICULA PENDANT // LIGHTOLOGY
UL LISTED
PERFORMANCE; 24V LED/8W, INCANDESCENT DIMMER
LAMP COLOR: 2700K
DIMENSIONS; 120" SUSPENSION, 57"L X 8"H X 22"D



BUBBLE BALL CANOPY // PURE EDGE
UL LISTED
50K HOUR LIFESPAN
PERFORMANCE; 1.5W, 2700K LED 80 CRI, DIMMABLE WEIGHT; 65LBS
DIMENSIONS; FIELD-CUTTABLE COAXIAL CABLE SUSPENSION, MOUNTS TO STANDARD 4" ELECTRICAL BOX



LIGHTING SCHEDULE

PALMA // VIBIA

UL LISTED

PERFORMANCE; 2700K CRI, 27.6W, 2056LM 74.51LM/W

STANDARD DIMMING 1-10V

DIMENSIONS; 73 1/2" TOTAL HEIGHT, 8 3/4" W X 10 1/4" D X 7 1/2" H/FIXTURE



EMERGENCY EXIT LIGHTING // SIGNIFY

UL LISTED

PERFORMANCE; LED, 122/277 VOLTS, 3/3.5 INPUT WATTS

BATTERY WITH CONSUMPTION OF 3W/120V

DIMENSIONS; 10-3/16" H X 11-1/4" W X 1-9/16" D



LATIS ZIG ZIG // RBW

UL LISTED

50K HOUR LED LIFESPAN

PERFORMANCE; 90 CRI, 78.7LM/W, 17,000LM/LIGHT SOURCE, 216W POWER

CONSUMPTION & LUMINAIRE WATTS

DIMENSIONS; OVERALL FOOTPRINT, 206" L X 71" W SUSPENSION, 72"



FINIRE RECESSED LIGHTING // LUTRON

UL LISTED

50K HOUR LED LIFESPAN

PERFORMANCE; 22W/1000LM, 97 CRI, 1% DIMMING DRIVER

COLOR OPTIONS OF 2700K, 3000K, OR 3500K

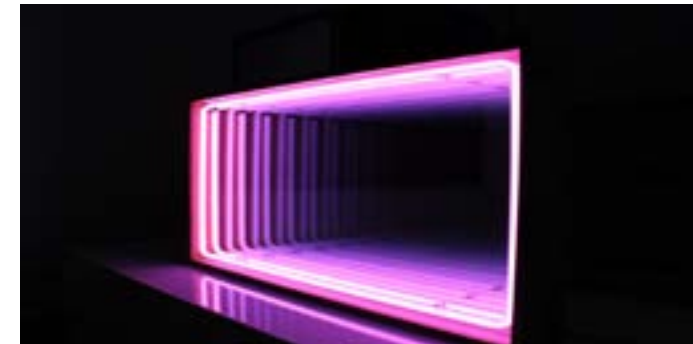


LIGHTING TECHNOLOGY

AROMATIC BULB // VIBRANCE
SOON TO BE UL LISTED
30K HOURS LED LIFESPAN
PERFORMANCE; 800 LUMENS/60W
DIFFUSES AROMATIC SCENTS, MOTION SENSOR
DIMENSIONS; STANDARD BULB

SELFIE MIRROR // LUMNEO
UL LISTED
NEON INPUT VOLTAGE; 24VDC
PERFORMANCE: 93 LUMENS, 2.4W/FT.
FEATURES HI-FI SPEAKERS, SURVEILLANCE, AND SMART PHOTO
TECHNOLOGY, HD CAMERAS WITH 16MP RESOLUTION
DIMMER OPTION AVAILABLE, MADE TO ORDER
DIMENSIONS; 12 X 80 X 180CM, 47KG

MEMOMI SMART MIRROR // INTEL CORE PROCESSING AI
UL LISTED
MEMOMI AR SOFTWARE
FEATURES; "TRY-ON" EXPERIENCE
PERFORMANCE; 2000 LUMEN LED DISPLAY
DIMENSIONS; 6'3" H X 3' 3" W



LIGHTING CONTROLS

DIMMER SWITCH // LUTRON
WIRELESS SINGLE FIXTURE CONTROL
120-277 V
WALL-MOUNTED 4' A.F.F.
DIMENSIONS: 1 1/2" D X 4 1/2" H X 3" W



CONTROLS SYSTEM // LUTRON
CONTROLS LIGHTS AND SHADES
24-36 V
WALL-MOUNTED 4' A.F.F.
DIMENSIONS: 3" W X 3" H X 1 2/5" D



INFRARED OCCUPANCY SENSOR // LUTRON
LOS-C SENSOR
SCHEDULE INTELLIGENCE TO PREVENT FALSE-ON/OFF SITUATIONS
CAN CONNECT TO HVAC AND SECURITY SYSTEMS
CEILING MOUNTED
20- 24 VOLT, .033 AMP
DIMENSIONS: 4 1/2" W X 1 2/5" H





SCAD

9 DRAYTON ST.
SAVANNAH, GEORGIA 31401

**RCP 1ST
FLOOR**

DATE: 2/7/2021

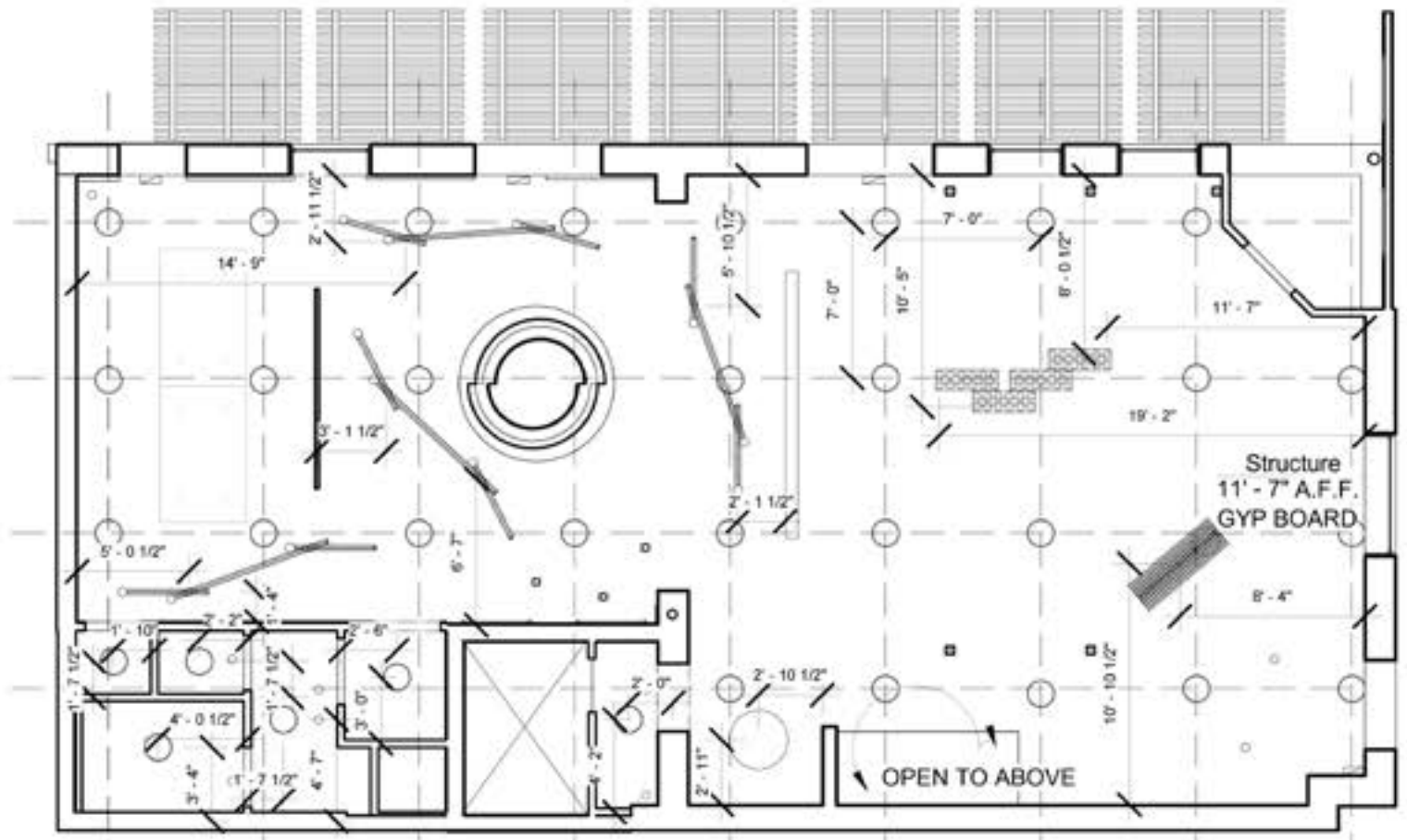
DRAWN BY: JENNA MORLOCK

CHECKED BY: CHRISTINE VAN DUYN

IA 102

SYMBOL	LIGHT TYPE	PERFORMANCE	MANUFACTURER	LAMP TYPE	PROJECT QUANTITY
	DELTA IV-27 PENDANT LIGHT	565LM, 12W POWER CONS. 12W LUMINAIRE WATTS, 44LM/W, 90CRI	RBW LIGHTING	DIMMABLE LED 50K HOUR LIFESPAN	1
	LATIS ZIG ZAG 4-8-4 PENDANT LIGHT	90 CRI, 78.7LM/W, 17,000LM/LIGHT SOURCE, 216W POWER CONSUMPTION & LUMINAIRE WATTS	RBW LIGHTING	LED 50K HOUR LIFESPAN	4
	EXIT CEILING-MOUNT LIGHT	122/277 VOLTS, 3/3.5 INPUT WATTS BATTERY WITH CONSUMPTION OF 3W/120V	SIGNIFY	LED	4
	FINIRE 4" RECESSED DOWNLIGHT	22W/1000LM, 97 CRI, 2700 K	LUTRON	DIMMABLE LED 50K HOUR LIFESPAN	34
	NAVICULA PENDANT LIGHT	24V LED/8W, 2700 K	LIGHTOLOGY	DIMMABLE LED	1
	BUBBLE BALL PENDANT LIGHT	1.5W, 2700K LED 80 CRI	PURE EDGE	DIMMABLE LED 50K HOUR LIFESPAN	3
	SINGLE DOME PENDANT LIGHT	120V, 25W/BULB MAX; E26 MEDIUM BULB 2700K LED 90 CRI	KARTELL	DIMMABLE LED 50K HOUR LIFESPAN	3

LIGHTING LEGEND
1/8" = 1'-0"



FIRST FLOOR
1/8" = 1'-0"



SCAD

9 DRAYTON ST.
SAVANNAH, GEORGIA 31401

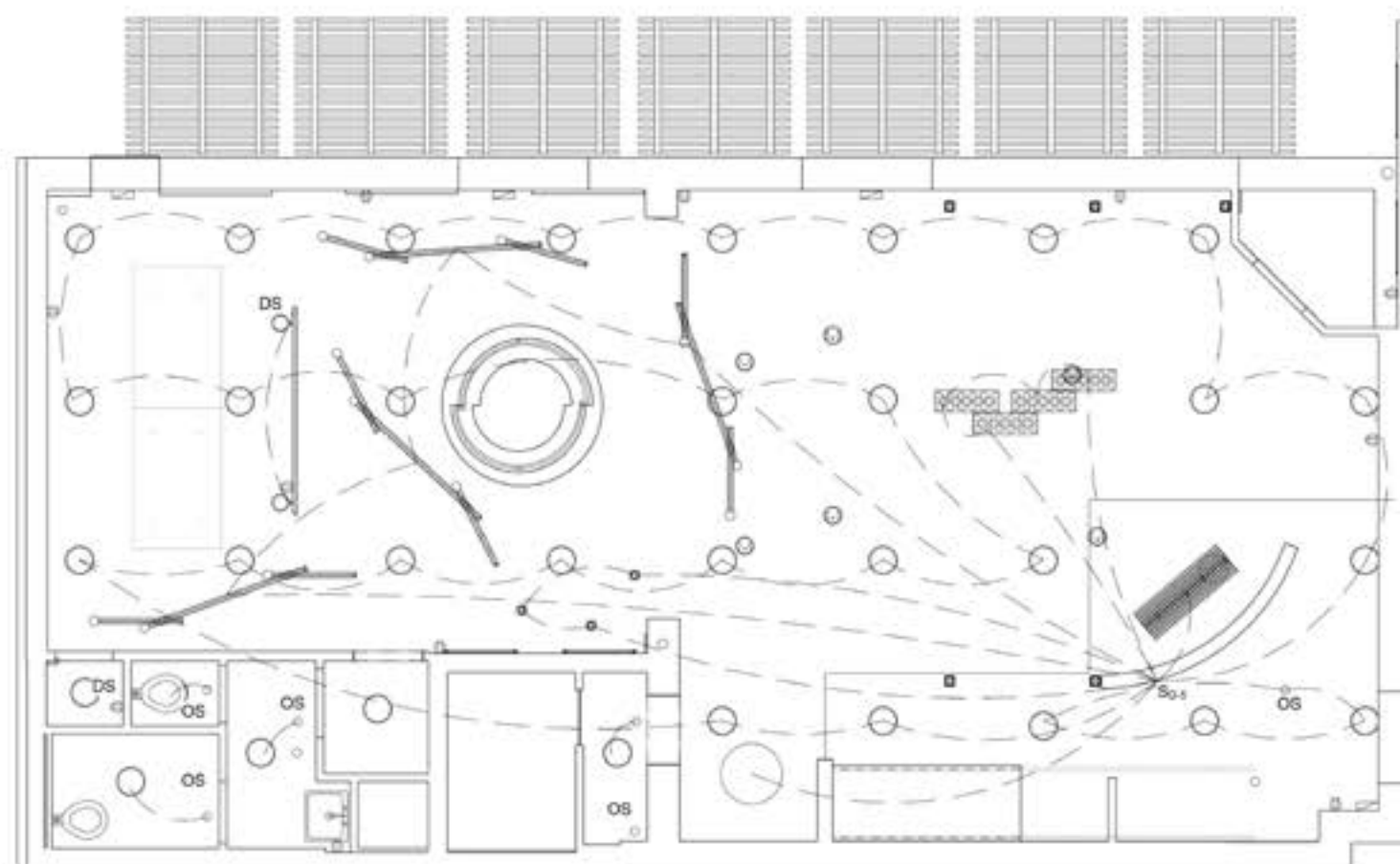
**SWITCH
PLAN**

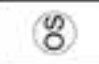
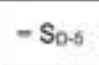
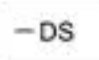
DATE: 2/17/2021


DRAWN BY: JENNA MORLOCK

CHECKED BY: CHRISTINE VAN DUYN

IA 103

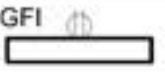
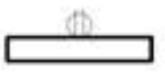




	CEILING-MOUNT OCCUPANCY SENSOR
	DIMMABLE MULTIPLE CIRCUIT CONTROL PANEL
	DIMMER SWITCH

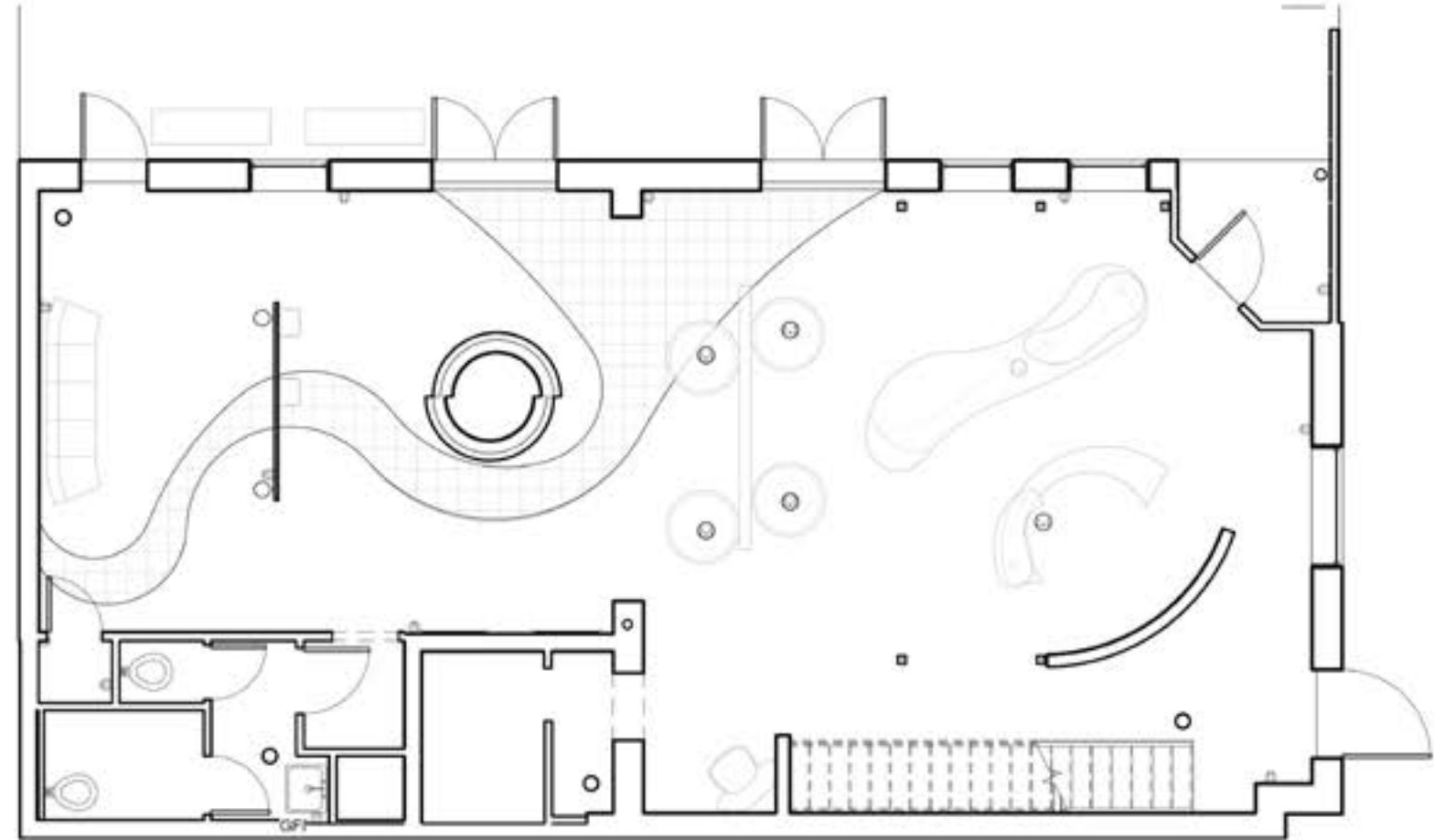
 SWITCH LEGEND
1/4" = 1'-0"

1 SWITCH PLAN
1/8" = 1'-0"



 GFI	GFI WALL-MOUNTED DUPLEX OUTLET
	WALL-MOUNTED DUPLEX OUTLET
	FLOOR-MOUNT QUADRUPLET OUTLET
	SMOKE DETECTOR

○ ELECTRICAL LEGEND
1/4" = 1'-0"



1 ELECTRICAL PLAN
1/8" = 1'-0"

SCAD

9 DRAYTON ST.
SAVANNAH, GEORGIA 31401

**ELECTRICAL
PLAN**

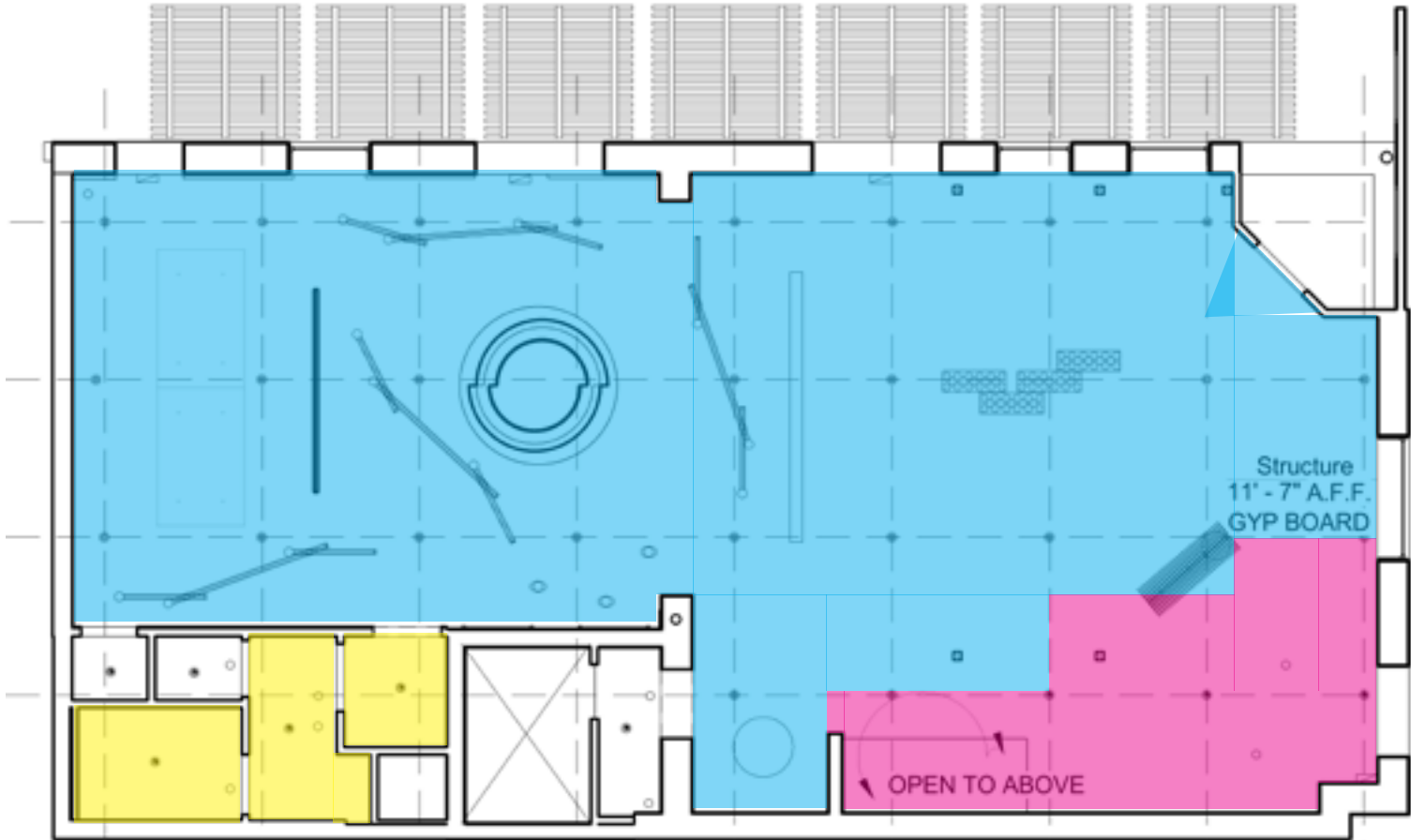
DATE: 2/17/2021

DRAWN BY: JENNA MORLOCK

CHECKED BY: CHRISTINE VAN DUYN

IA 104

LPD RETAIL CALCULATIONS



FIXTURE	WATTS	AMOUNT
DELTA	12 WATTS	1X -> 12W
LATIS	216 WATTS	4X -> 864W
EXITS	3 WATTS	4X -> 12W
FINIRE	22 WATTS	23X -> 506W
NAVICULA	8 WATTS	1X -> 8W
BUBBLES	1.5 WATTS	3X -> 4.5W
PENDANT	25 WATTS	3X -> 75W

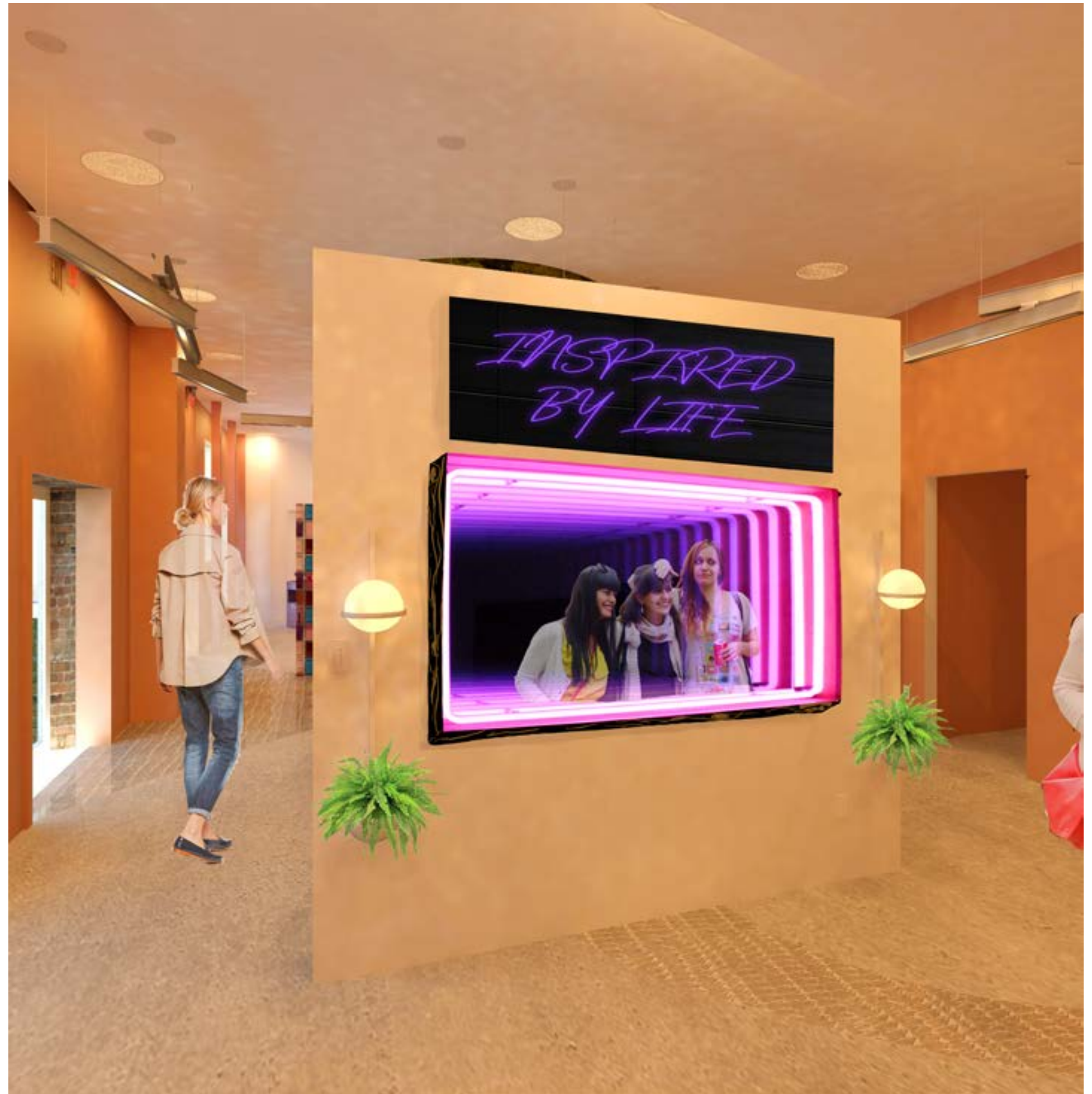
TOTAL WATTAGE: 1481.5
TOTAL AREA: 1,105 SQFT

FINAL CALCULATIONS;
1481.5-500 -> 981.5
981.5/1,105 -> .89 LESS THAN
1.2 W/SQFT STANDARD

STORAGE CALCULATIONS
TOTAL WATTAGE: 22W X 5 -> 110
TOTAL AREA: 259 SQFT
FINAL CALCULATIONS; 110/259 -> .42
LESS THAN .6 W/SQFT STANDARD

BATHROOM CALCULATIONS
TOTAL WATTAGE: 22W X 3 -> 66
TOTAL AREA: 105 SQFT
FINAL CALCULATIONS; 66/105 -> .62
ABOUT THE .6 W/SQFT STANDARD, MOTION SENSORED

RENDERINGS



RENDERINGS



Palma

Design by Antoni Arola.

Reference

3750.

Application

Wall Fixtures

Installation type

Surface mounted

Description

Vibia presents Palma designed by Antoni Arola. It includes hand blown glass spheres paired with a lacquered metal support. Sconces are available in horizontal or vertical as single, double or triple with versions available sans planter. Matte white or matte graphite lacquer finishes.

Diffuser

Blown-glass diffuser

Materials

Profile: Aluminum

Flowerpot: PMMA (thermoplastic polymer)

Ring: Aluminum

Wall plate: Steel

Finishes

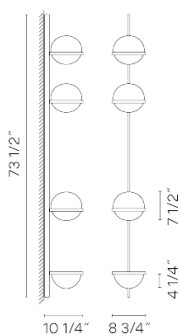


3750-18 Graphite (ADAPTA RF 9913 WX)



3750-93 White (RAL 9016)

Sketch



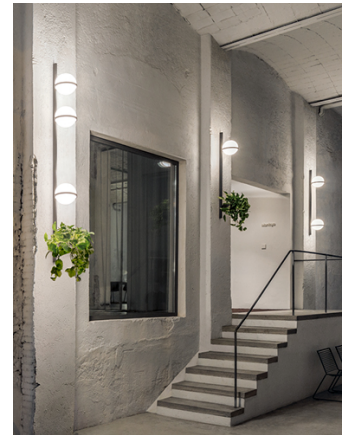
Electrical characteristics

6 x LED 4.6W 500mA

Total 27.6 W



VIBIA



Light source: 2700K CRI >90 2604 lm 94.34 lm/W

Fixture: 2056 lm 74.51 lm/W

Driver included: CC - Constant Current 500 mA 120V 50/60Hz

Electronic dimming: 1-10V

Technical characteristics

- Plants not included

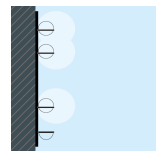
Installation and assembly

Please see the installation manual

Light distribution

General lighting

Lamp for general lighting that equally distributes the light in all directions.



Photometric data

Coordinate system : CG

Isolux : Isolux (Floor)

Maximum value : 221.08 cd/klm

Light position :

Light position : C=0.00 G=0.00

X=0.00m Y=0.00m Z=2.50m

Symmetry on the planes : Double symmetrical

Certificates



Small FLY - FLY - Big FLY Ferruccio Laviani 2002



9031 / 9054 Transparent

B4/transparent	
K2/sky blue	
K1/ petroleum blue	
K9/sage green	
K6/yellow	
K4/orange	
K3/red	
K7/pink	

9031 Transparent

K5/blue	
K8/emerald green	

9031 Glossy opaque

09/black	
----------	--

9031 / 9054 / 9059 Glossy opaque

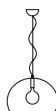
03/white	
----------	--

9059 Transparent

B4/transparent	
K4/orange	
K9/sage green	



9054



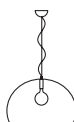
insulation class directly fitted degree of protection tension volt attachment weight kg. unit price \$

 IP 20 120 E26 SB CFL max 25W 2.38 1.080 **305**

diameter Ø height diffuser length min÷max

15 38 11 28 15 3/4÷91 1/3 40÷232

9031

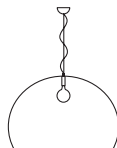


 IP 20 120 E26 SB CFL max 25W 3.48 1.580 **345**

diameter Ø height diffuser length min÷max

20 1/2 52 13 33 18 1/9÷94 7/8 46÷241

9059



 IP 20 120 E26 SB CFL max 25W 8.88 4.030 **955**

diameter Ø height diffuser length min÷max

32 2/3 83 21 2/3 55 27 5/9÷102 1/3 70÷260

packaging

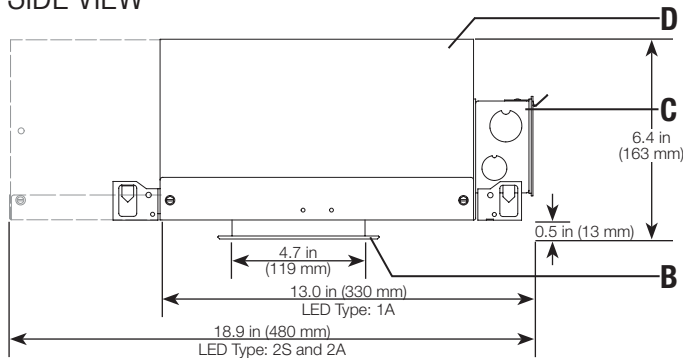
quantity	weight lbs./kg.	volume m ³	size cm	size inches
1	4.72/2.140	0.058	42X32X43	16 1/2X12 3/5X17
1	9.26/4.200	0.133	55X41X55	21 2/3X16 1/7X21 2/3
1	23.03/10,450	0.511	86X65X86	33 5/7X25 3/5X33 5/7

Material
Mass-dyed, metallic or painted
PMMA



DIMENSIONS

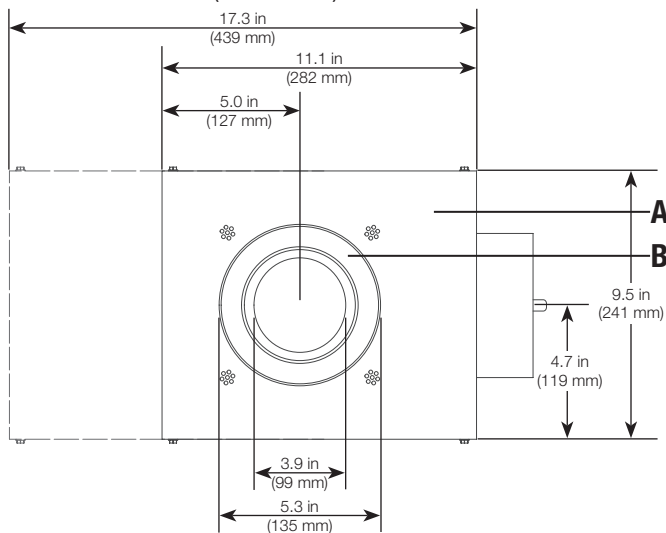
SIDE VIEW



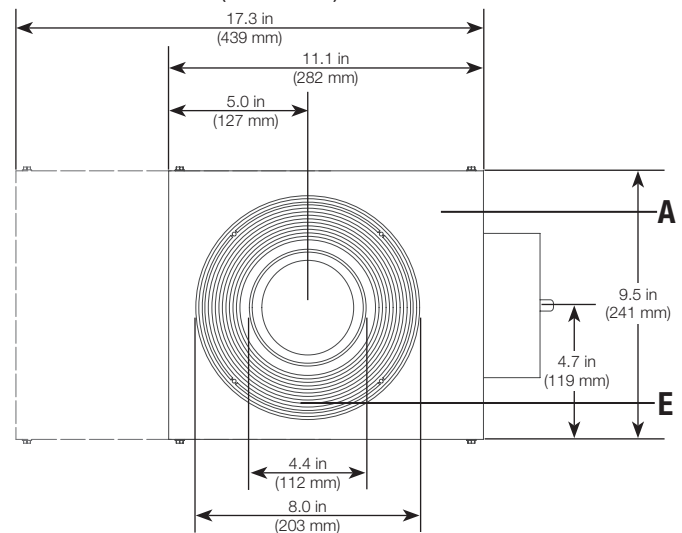
A	Frame
B	Trim
C	Junction Box
D	IC Housing
E	Mud Ring ¹

Lutron Hi-lume 1% LED Driver not shown

BOTTOM VIEW (Trimmed)



BOTTOM VIEW (Trimless)



PRINCIPAL FEATURES

- Xicato LEDs: 83 CRI (typical) or 97 CRI, R9=95 (typical).
- 50,000 hours rated LED system life (LED and driver) at 77 °F (25 °C) ambient.
- Powerful LED module in efficient parabolic trim with excellent cutoff.
- Standard Lutron Hi-lume 1% LED Driver delivers continuous, flicker-free dimming from 100% down to 1% of measured light output.
- Hi-lume 1% EcoSystem LED Driver features Soft-on, Fade-to-Black technology.²
- 30°, 36°, 40°, and 50° beam angles available.
- Trim supports a variety of lens/accessory options.
- IC fixtures must be used for installations containing insulating materials. Non-IC fixtures cannot be used in this type of application.
- IC fixtures meet airtight and Chicago plenum construction requirements for 2.0 CFM or less air leakage.

- Frame constructed of 20 gauge steel.
- UL® and cUL Listed.
- Supplied with 14 in to 24 in (356 mm to 610 mm) adjustable bar hangers.
- Housings finished with reclaimed black powder coat.
- Adjustable mounting brackets can be mounted on any side of the fixture.
- Field replaceable components:
 - Beam angle reflector
 - Lutron LED driver
 - LED module with integrated heat sink
 - Decorative trim/lens
- 2-wire forward phase controls are generally for residential applications. EcoSystem controls are generally for commercial applications.

SPECIFICATIONS

Operating Temperature: 32 °F to 104 °F (0 °C to 40 °C)

Decibel Rating: Quiet in a 25 dB room

Max Ceiling Thickness: 2.0 in (50 mm)

Mud Ring Thickness¹: 0.125 in (3 mm)

Ceiling Cutout: ø 4.8 in (ø 122 mm)

Fixture Weight: 4.0 lb (1.8 kg)

Fixture Size (by LED Type):

- 1A: 13.0 in x 9.5 in x 6.4 in (330 mm x 241 mm x 163 mm)
- 2S and 2A: 18.9 in x 9.5 in x 6.4 in (480 mm x 241 mm x 163 mm)

Junction Box Size: 4.9 in x 3.1 in x 1.75 in (124 mm x 79 mm x 44 mm). See NEC® chart 314.16A for box fill/wiring capacity.

COMPATIBLE CONTROLS

Visit www.lutron.com/finire

¹ Mud ring is for trimless fixtures only.

² PWM dimming below 5% for Hi-lume 1% EcoSystem drivers.



ORDERING GUIDES

BASE UNIT CONFIGURATION

Select appropriate code in each column to complete model number.

Example:

FDT4RI 1A 35 40 F1 B2 XX - R4466 MW SO XX

SERIES	LED Type	TEMP	BEAM	CONTROL	HANGING	CEILING	TRIM	FINISH	LENS	OPTIONS
FDT4RI Finire 4 in Trimmed IC Round Downlight	1A 17 W 700 lm 97 CRI ¹	27 2700 K	30 30° Beam Spread	F1 2-Wire Forward Phase 120 V~	B2 14 in to 24 in (356 mm to 610 mm) Adjustable Bar Hangers	XX Standard	R4466 Trimmed Round Downlight ²	MW Matte White	FG Frosted Glass	XX None (Standard)
FDZ4RI Finire 4 in Trimless IC Round Downlight	2S 18 W 1000 lm 83 CRI ¹	30 3000 K	36 36° Beam Spread ³	E1 EcoSystem 120 V~ ⁸		10 1 in (25 mm)	R4105 Trimless Round Pin Hole ²	BL Matte Black	SO Micro Prism Solite™	WL Wet Location ⁴
	2A 20 W 850 lm 97 CRI ¹	35 3500 K	40 40° Beam Spread	E7 EcoSystem 277 V~ ⁸		15 1.5 in (38 mm)	Z4466 Trimless Round Downlight ⁵	SG Stainless ⁶	CG Clear Glass	TF Round Center Frosted Glass ^{2,7}
			50 50° Beam Spread			20 2 in (51 mm)		RB Bronze ⁶		
								CL Clear Bright Alzak ⁹		
								WE Wheat Alzak ⁹		

¹ All Lumen and CRI values typical. Typical Lumen values are derived from Downlight photometric data.
² Applicable to FDT4RI series only.
³ Available in the 2S LED type only.
⁴ For use in covered interior ceilings only.
⁵ Applicable to FDZ4RI series only.
⁶ Metallic Paint.
⁷ Decorative trim.
⁸ Hi-lume 1% EcoSystem LED driver with Soft-on, Fade-to-Black technology.
⁹ White Flange is standard for the Clear and Wheat Alzak[®] trims.

NOTES:
 Housing and trim assemblies can be purchased or shipped separately.
 Additional options available:
 – 4000 K CCT
 – Custom options
 Not for use in Quebec.
 For more information, please contact Fixture Customer Service at fixtures@lutron.com or 610.282.7472.

For Title 24 compliant model numbers or for more information, please contact Fixture Customer Service at fixtures@lutron.com or 610.282.7472.



PHOTOMETRIC DATA

	97 CRI / R9 = 95			
LED TYPE	2A	1A		
BEAM ANGLE	40°	40°		
MODEL NUMBER	FD_4R_2A2740	FD_4R_1A2740		
LIGHT OUTPUT (lm)	762	638		
WATTAGE (W)	18.4*	14.7*		
EFFICACY (lm/W)	41.5*	43.4*		
COLOR ACCURACY CRI	97.4	97.4		
COLOR TEMPERATURE	2700 K	2700 K		
CANDELA PLOT (NADIR)				
MULTIPLE UNITS				
H = DISTANCE FROM CEILING	Nadir (fc)	50% Lighted Diameter (ft)	Nadir (fc)	50% Lighted Diameter (ft)
4 ft (1.22 m)	83.6	2.7	69.2	2.7
6 ft (1.83 m)	37.1	4.1	30.8	4.1
8 ft (2.44 m)	20.9	5.4	17.3	5.4
10 ft (3.05 m)	13.4	6.8	11.1	6.8
12 ft (3.66 m)	9.3	8.1	7.7	8.1
14 ft (4.27 m)	6.8	9.5	5.7	9.5
16 ft (4.88 m)	5.2	10.9	4.3	10.9

Lens Efficiency	CLEAR GLASS	SOLITE™	FROSTED GLASS			
	100%	98%	86%			
Trim Color Efficiency	WHITE	BLACK	STAINLESS	BRONZE	CLEAR ALZAK®	WHEAT ALZAK®
	100%	75%	85%	78%	99%	94%
Color Temperature Efficiency	2700 K	3000 K	3500 K			
	86%	93%	100%			

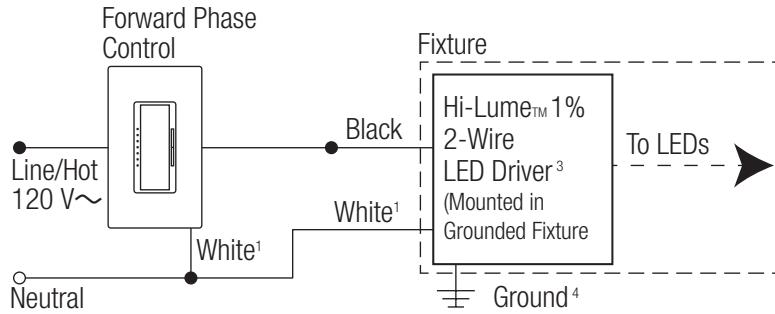
NOTE: There will be an 15% increase in light output when using the 36° reflector compared to the 30°, 40°, and 50° reflectors.

* Power measurements are taken from an IC fixture input power. Non-IC fixture input power is approximately 2 W greater than the IC fixture input power due to a thermal protection device.

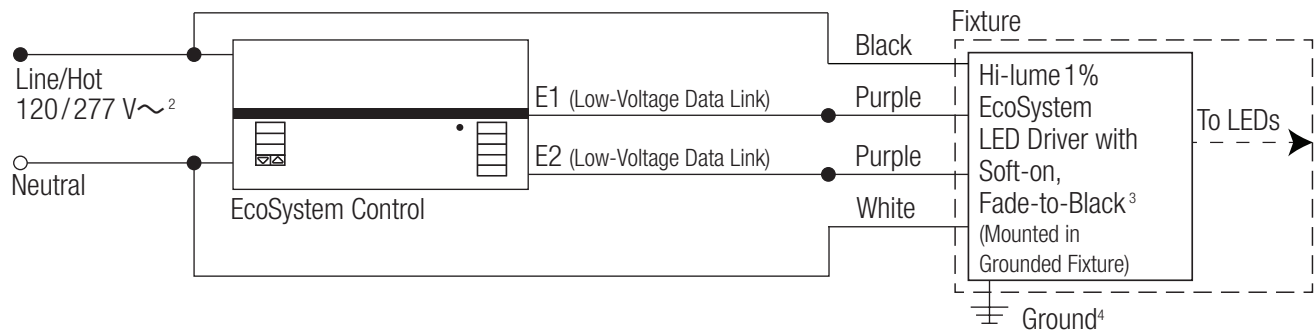


CIRCUIT DIAGRAMS

2-WIRE FORWARD PHASE CONTROL (120 V~ ONLY)



EcoSystem DIGITAL CONTROL (120/277 V~)



¹ Neutral may be optional for certain control types. See product specification submittal for specific wiring diagrams.

² Refer to the specific Lutron® control specifications for exact input voltage rating of the product.

³ 40 W maximum rated drivers.

⁴ Ensure that both ground wires are connected in the junction box.

- Contact Fixture Customer Service for custom mounting options at fixtures@lutron.com
- For a list of compatible controls and control ratings, visit www.lutron.com/finire or contact the LED Control Center of Excellence at 1.877.DIM.LED8 or leds@lutron.com



Lutron, Lutron, EcoSystem, IVALO, IVALO Lighting, Hi-lume, HomeWorks, and Finiré are trademarks of Lutron Electronics Co., Inc. registered in the U.S. and other countries. Lutron Ivalo Collection and Soft-on, Fade-to-Black are trademarks of Lutron Electronics Co., Inc. UL is a trademark of UL LLC.

NEC is a registered trademark of National Fire Protection Association, Quincy, Massachusetts.

SOLITE is a trademark of Solite Innovations LLC.

Alzak is a registered trademark of Alcoa.

©2012-2019 Lutron Electronics Co., Inc.

Lutron Electronics Co., Inc.

7200 Suter Road, Coopersburg, PA 18036

Telephone 610.282.7472 Fax 610.282.7600

fixtures@lutron.com

For limited 10-year warranty details, see

www.lutron.com/TechnicalDocumentLibrary/3683454.pdf

Specification subject to change without notice.



UL Verification Services Inc.
7036 Snowdrift Road
Allentown, PA 18106
610-774-1300



Photometric Test Report

Relevant Standards
IES LM-79-2008
ANSI C82.77-2002

Prepared For
RBW Studio LLC

Anthony Keeler
98 4th St, #107
Brooklyn, NY 11231
United States

Catalog Number
DE-IV

Order Number
11074749
Test Number
1185230

Test Date

2015-12-14

Prepared By

Derek Smarr, Technician

Approved By

Jeffrey Lockner, Project Engineer

The results contained in this report pertain only to the tested sample.
This report shall not be reproduced, except in full, without written approval of Underwriters Laboratories.
This report must not be used by the client to claim product certification, approval, or endorsement by
NVLAP, NIST, or any agency of the Federal Government.



Table of Contents

Summary of Results	Page 3
Integrating Sphere Results	Page 4
Distribution Results	Page 5
Conditions / Summary of Results / Polar Plot / Zonal / Luminance	Page 5
Candela Tabulation	Page 6
Coefficients of Utilization	Page 7

Laboratory results may not be representative of field performance
Ballast factors have not been applied

Testing was performed in a 3-meter integrating sphere using the 4π geometry method.
Absorption correction was employed for Sphere measurement



Luminaire Description: Steel outer housing, aluminum bottom plate, cloth pendant fixture with top and bottom assembly, frosted plastic lens
Lamp: 30 white LEDs
Mounting: Pendant
Ballast/Driver: Internal driver

Luminaire



Luminaire Characteristics

Luminous Diameter: 32.50 in.
Luminous Height: 14.00 in.

Summary of Results

Integrating Sphere

Luminous Flux: 565 Lumens
Efficacy: 43.7 lm/w
CCT: 2748 K
CRI (Ra): 85.2

Distribution

Total Luminaire Output: 534.8 Lumens
Luminaire Efficacy: 41.5 lm/w
Maximum Candela: 94 Candela

Electrical Data at 120 VAC

Test Temperature: 24.3 °C
Voltage: 120.0 VAC
Current: 0.1107 A
Power: 12.92 W
Power Factor: 0.973
Frequency: 60 Hz
Current THD: 23.9 %



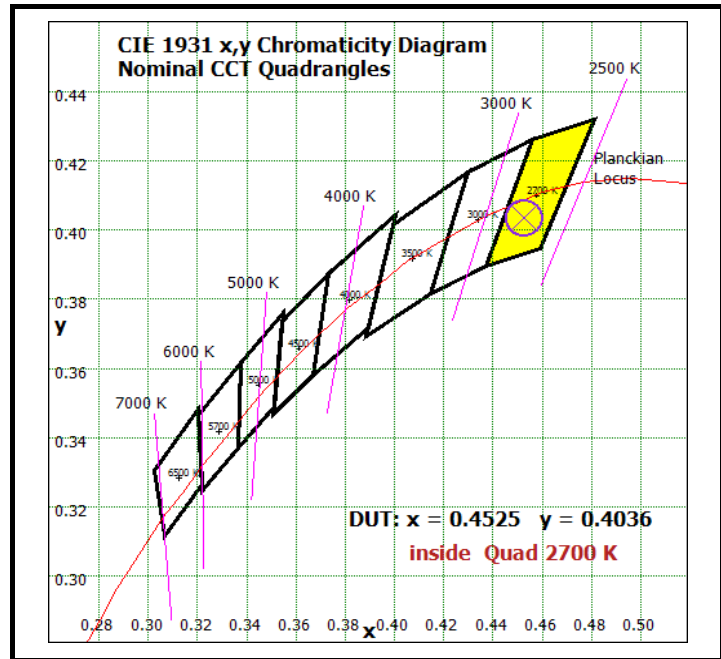
Color Quality - Integrating Sphere

Integrating Sphere Test Conditions

Temperature	Voltage	Current	Power	Power Factor	Frequency	Current THD
24.3 °C	120.0 VAC	0.1107 A	12.92 W	0.973	60 Hz	23.9 %

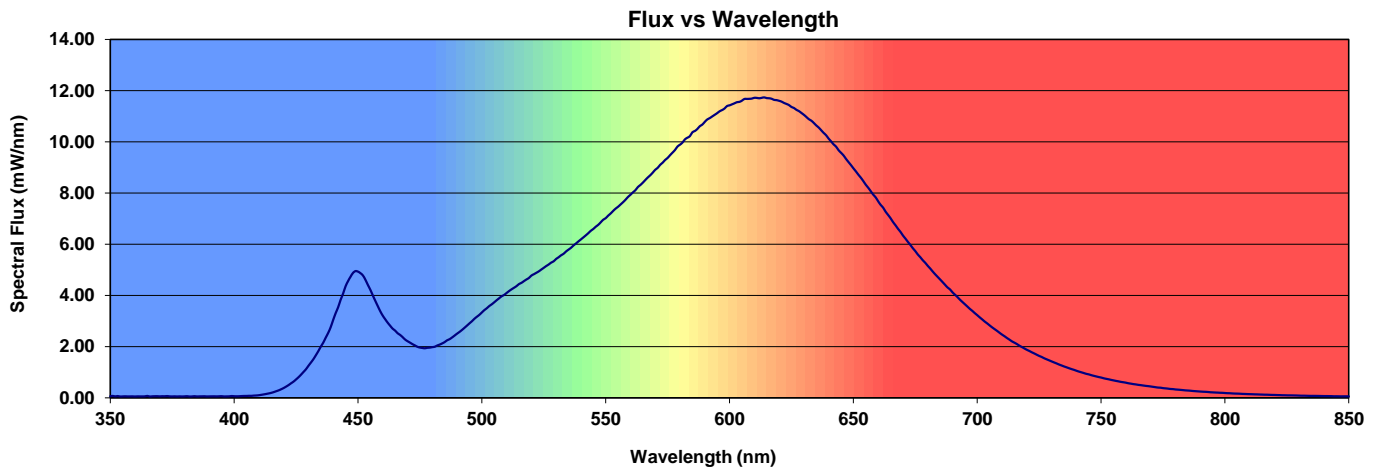
Summary of Results

Total Output:	565 Lumens
Efficacy:	43.7 lm/w
CCT:	2748 K
CRI (Ra):	85.2
CRI (R9):	28.6
Chromaticity (x):	0.4525
Chromaticity (y):	0.4036
Chromaticity (u):	0.2609
Chromaticity (v):	0.3490
Chromaticity (u')	0.2609
Chromaticity (v')	0.5235
Duv:	-0.0022



Color Rendering Index Detail

Ra (CRI)	R1	R2	R3	R4	R5	R6	R7	R8	R9	R10	R11	R12	R13	R14
85.2	83.9	92.0	97.0	82.8	83.6	89.8	85.4	67.0	28.6	81.3	81.4	77.2	85.6	98.5





Distribution - Goniophotometer

Distribution Test Conditions

Temperature	Voltage	Current	Power	Power Factor	Frequency	Current THD
24.3 °C	120.0 VAC	0.1106 A	12.90 W	0.972	60 Hz	23.8 %

Summary of Results

Spacing Criteria

0-180: 1.57
90-270: 1.57

Total Lumen Output:

534.8 Lumens

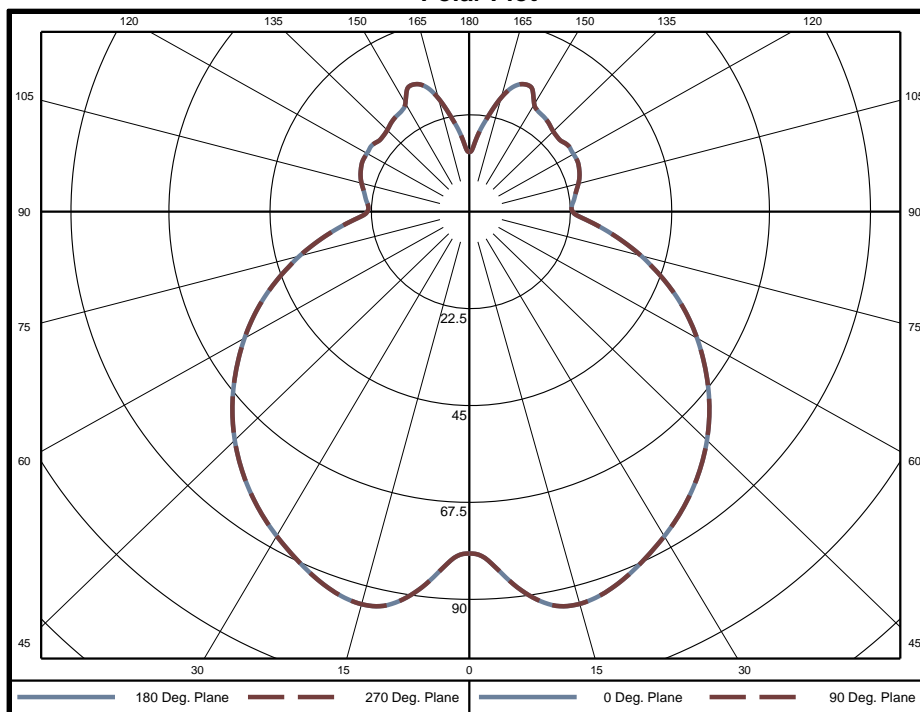
Luminaire Efficacy:

41.5 lm/w

Maximum Candela:

94 Candela

Polar Plot



Zonal Lumen Summary

Zone	Lumens	% of Luminaire	Zone	Lumens	% of Luminaire	Zone	Lumens	% of Luminaire
0-5	1.96	0.4%	60-65	27.23	5.1%	120-125	12.45	2.3%
5-10	6.35	1.2%	65-70	25.20	4.7%	125-130	11.54	2.2%
10-15	11.11	2.1%	70-75	22.59	4.2%	130-135	10.64	2.0%
15-20	15.47	2.9%	75-80	19.63	3.7%	135-140	9.96	1.9%
20-25	19.24	3.6%	80-85	16.46	3.1%	140-145	9.21	1.7%
25-30	22.45	4.2%	85-90	13.56	2.5%	145-150	8.30	1.6%
30-35	25.17	4.7%	90-95	12.61	2.4%	150-155	7.80	1.5%
35-40	27.29	5.1%	95-100	12.91	2.4%	155-160	6.70	1.3%
40-45	28.72	5.4%	100-105	13.23	2.5%	160-165	4.89	0.9%
45-50	29.41	5.5%	105-110	13.51	2.5%	165-170	2.92	0.5%
50-55	29.35	5.5%	110-115	13.47	2.5%	170-175	1.40	0.3%
55-60	28.60	5.3%	115-120	13.09	2.4%	175-180	0.36	0.1%

Zone	Lumens	% of Luminaire
0-40	129	24.1%
0-60	245	45.8%
0-90	370	69.1%
90-180	165	30.9%



Candela Tabulation
Horizontal Angle (Degrees)

	0	22.5	45	67.5	90	112.5	135	157.5	180	202.5	225	247.5	270	292.5	315	337.5
0	79.34	79.34	79.34	79.34	79.34	79.34	79.34	79.34	79.34	79.34	79.34	79.34	79.34	79.34	79.34	79.34
5	84.36	84.36	84.36	84.36	84.36	84.36	84.36	84.36	84.36	84.36	84.36	84.36	84.36	84.36	84.36	84.36
10	91.80	91.80	91.80	91.80	91.80	91.80	91.80	91.80	91.80	91.80	91.80	91.80	91.80	91.80	91.80	91.80
15	94.34	94.34	94.34	94.34	94.34	94.34	94.34	94.34	94.34	94.34	94.34	94.34	94.34	94.34	94.34	94.34
20	93.07	93.07	93.07	93.07	93.07	93.07	93.07	93.07	93.07	93.07	93.07	93.07	93.07	93.07	93.07	93.07
25	90.31	90.31	90.31	90.31	90.31	90.31	90.31	90.31	90.31	90.31	90.31	90.31	90.31	90.31	90.31	90.31
30	87.17	87.17	87.17	87.17	87.17	87.17	87.17	87.17	87.17	87.17	87.17	87.17	87.17	87.17	87.17	87.17
35	83.75	83.75	83.75	83.75	83.75	83.75	83.75	83.75	83.75	83.75	83.75	83.75	83.75	83.75	83.75	83.75
40	79.78	79.78	79.78	79.78	79.78	79.78	79.78	79.78	79.78	79.78	79.78	79.78	79.78	79.78	79.78	79.78
45	75.30	75.30	75.30	75.30	75.30	75.30	75.30	75.30	75.30	75.30	75.30	75.30	75.30	75.30	75.30	75.30
50	70.25	70.25	70.25	70.25	70.25	70.25	70.25	70.25	70.25	70.25	70.25	70.25	70.25	70.25	70.25	70.25
55	64.74	64.74	64.74	64.74	64.74	64.74	64.74	64.74	64.74	64.74	64.74	64.74	64.74	64.74	64.74	64.74
60	59.00	59.00	59.00	59.00	59.00	59.00	59.00	59.00	59.00	59.00	59.00	59.00	59.00	59.00	59.00	59.00
65	52.98	52.98	52.98	52.98	52.98	52.98	52.98	52.98	52.98	52.98	52.98	52.98	52.98	52.98	52.98	52.98
70	46.51	46.51	46.51	46.51	46.51	46.51	46.51	46.51	46.51	46.51	46.51	46.51	46.51	46.51	46.51	46.51
75	40.01	40.01	40.01	40.01	40.01	40.01	40.01	40.01	40.01	40.01	40.01	40.01	40.01	40.01	40.01	40.01
80	33.41	33.41	33.41	33.41	33.41	33.41	33.41	33.41	33.41	33.41	33.41	33.41	33.41	33.41	33.41	33.41
85	27.26	27.26	27.26	27.26	27.26	27.26	27.26	27.26	27.26	27.26	27.26	27.26	27.26	27.26	27.26	27.26
90	23.18	23.18	23.18	23.18	23.18	23.18	23.18	23.18	23.18	23.18	23.18	23.18	23.18	23.18	23.18	23.18
95	23.28	23.28	23.28	23.28	23.28	23.28	23.28	23.28	23.28	23.28	23.28	23.28	23.28	23.28	23.28	23.28
100	24.18	24.18	24.18	24.18	24.18	24.18	24.18	24.18	24.18	24.18	24.18	24.18	24.18	24.18	24.18	24.18
105	25.33	25.33	25.33	25.33	25.33	25.33	25.33	25.33	25.33	25.33	25.33	25.33	25.33	25.33	25.33	25.33
110	26.28	26.28	26.28	26.28	26.28	26.28	26.28	26.28	26.28	26.28	26.28	26.28	26.28	26.28	26.28	26.28
115	26.89	26.89	26.89	26.89	26.89	26.89	26.89	26.89	26.89	26.89	26.89	26.89	26.89	26.89	26.89	26.89
120	26.90	26.90	26.90	26.90	26.90	26.90	26.90	26.90	26.90	26.90	26.90	26.90	26.90	26.90	26.90	26.90
125	26.93	26.93	26.93	26.93	26.93	26.93	26.93	26.93	26.93	26.93	26.93	26.93	26.93	26.93	26.93	26.93
130	26.24	26.24	26.24	26.24	26.24	26.24	26.24	26.24	26.24	26.24	26.24	26.24	26.24	26.24	26.24	26.24
135	26.52	26.52	26.52	26.52	26.52	26.52	26.52	26.52	26.52	26.52	26.52	26.52	26.52	26.52	26.52	26.52
140	27.32	27.32	27.32	27.32	27.32	27.32	27.32	27.32	27.32	27.32	27.32	27.32	27.32	27.32	27.32	27.32
145	27.80	27.80	27.80	27.80	27.80	27.80	27.80	27.80	27.80	27.80	27.80	27.80	27.80	27.80	27.80	27.80
150	29.04	29.04	29.04	29.04	29.04	29.04	29.04	29.04	29.04	29.04	29.04	29.04	29.04	29.04	29.04	29.04
155	32.15	32.15	32.15	32.15	32.15	32.15	32.15	32.15	32.15	32.15	32.15	32.15	32.15	32.15	32.15	32.15
160	31.27	31.27	31.27	31.27	31.27	31.27	31.27	31.27	31.27	31.27	31.27	31.27	31.27	31.27	31.27	31.27
165	27.30	27.30	27.30	27.30	27.30	27.30	27.30	27.30	27.30	27.30	27.30	27.30	27.30	27.30	27.30	27.30
170	21.68	21.68	21.68	21.68	21.68	21.68	21.68	21.68	21.68	21.68	21.68	21.68	21.68	21.68	21.68	21.68
175	16.71	16.71	16.71	16.71	16.71	16.71	16.71	16.71	16.71	16.71	16.71	16.71	16.71	16.71	16.71	16.71
180	13.87	13.87	13.87	13.87	13.87	13.87	13.87	13.87	13.87	13.87	13.87	13.87	13.87	13.87	13.87	13.87

Average Luminance (cd/m²)
Horizontal Angle (Degrees)

	0	45	90
0	148	148	148
45	193	193	193
55	168	168	168
65	144	144	144
75	117	117	117
85	88	88	88



Utilization of Lumens - Zonal Cavity Method

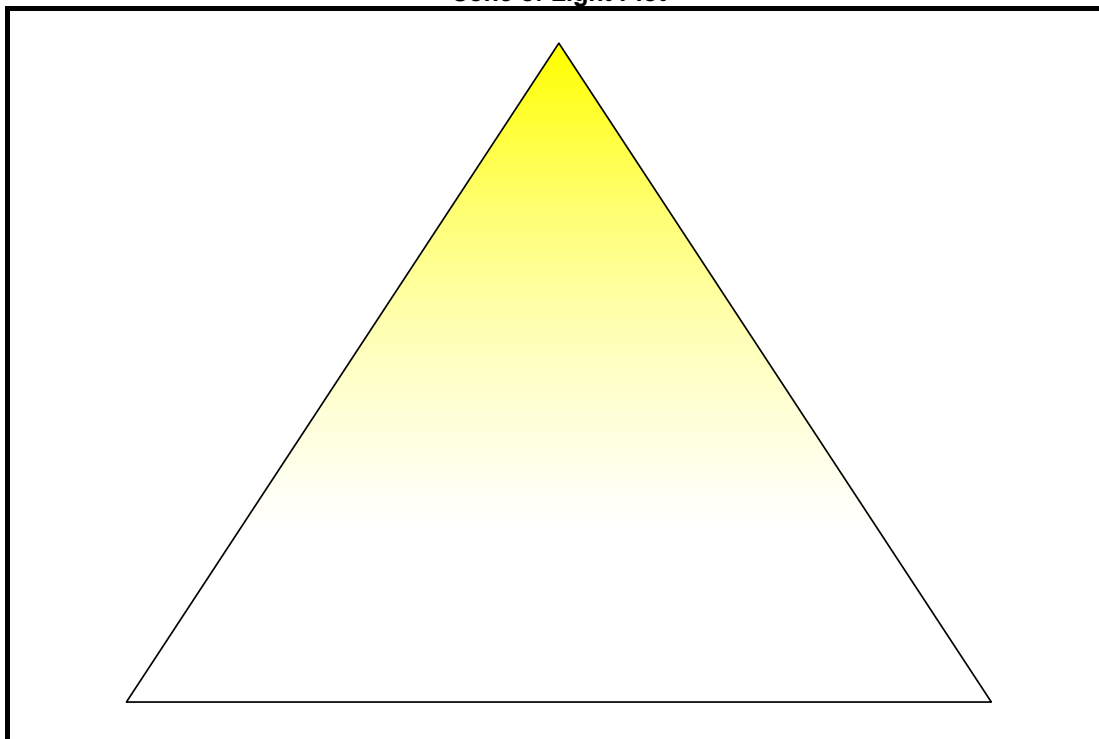
Effective Floor Cavity Reflectance 20%

Ceiling Cavity Reflectance	80				70				50			30			10			0
Wall Reflectance	70	50	30	10	70	50	30	10	50	30	10	50	30	10	50	30	10	0
Room Cavity Ratio (RCR)	** Values are expressed as Lumens delivered to the task surface **																	
0	597	597	597	597	564	564	564	564	503	503	503	446	446	446	394	394	394	370
1	532	502	476	452	500	474	450	429	421	402	385	372	357	344	327	316	306	283
2	479	431	391	357	449	406	371	340	360	332	308	318	296	276	279	262	246	226
3	433	374	328	291	406	353	311	278	313	280	252	277	250	227	243	221	203	184
4	394	328	280	243	369	310	266	232	276	240	211	244	214	191	214	191	171	154
5	361	291	242	206	338	275	230	197	245	208	180	217	187	163	191	166	147	131
6	332	260	211	177	311	246	202	169	220	183	155	195	164	141	172	147	127	113
7	307	234	187	154	287	222	179	148	199	162	136	177	146	124	156	131	112	98
8	284	212	167	135	267	201	159	130	181	145	120	161	131	109	143	118	99	87
9	265	193	150	120	249	184	143	116	165	131	107	148	119	98	132	107	89	77
10	247	177	135	108	233	169	130	104	152	119	96	137	108	88	122	98	80	70

Cone of Light Tabulation

Mounting Height	Footcandles at Nadir	Diameter (Feet)
4.00	4.96	6.27
6.00	2.20	9.40
8.00	1.24	12.5
10.0	0.793	15.7
12.0	0.551	18.8
14.0	0.405	21.9
16.0	0.310	25.1

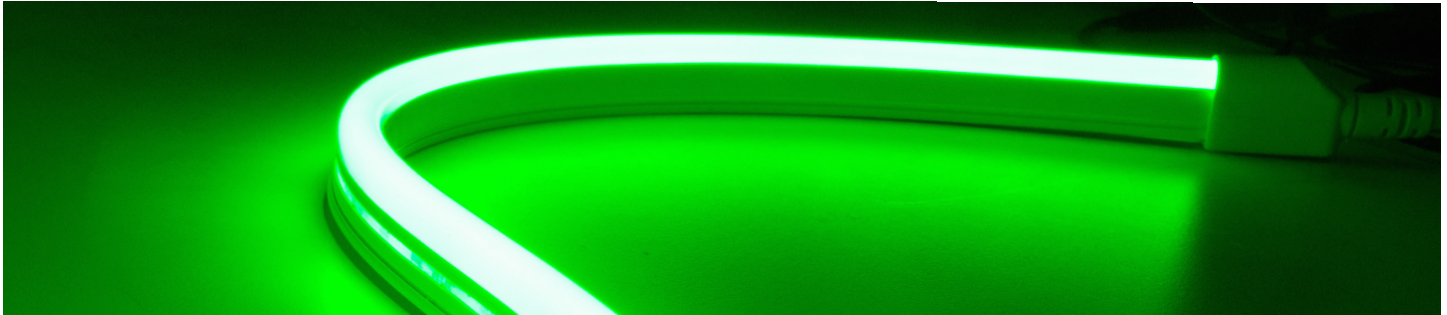
Cone of Light Plot





Item # _____

Project _____



		SE-NBL1	SE-NBL2	SE-NBL4
Voltage/Wattage		24V / 1.22W/ft.	24V / 2.44W/ft.	24V / 4.4W/ft.
Lumens¹	2700K	62 Lm/ft.	134 Lm/ft.	208 Lm/ft.
	3000K	65 Lm/ft.	146 Lm/ft.	198 Lm/ft.
	3500K	60 Lm/ft.	120 Lm/ft.	195 Lm/ft.
	6300K	59 Lm/ft.	116 Lm/ft.	173 Lm/ft.
	Green	30 Lm/ft.	48 Lm/ft.	78 Lm/ft.
	Blue	6 Lm/ft.	12 Lm/ft.	18 Lm/ft.
	Pink	17 Lm/ft.	37 Lm/ft.	53 Lm/ft.
	Red	11 Lm/ft.	21 Lm/ft.	34 Lm/ft.
	Gold	31 Lm/ft.	61 Lm/ft.	84 Lm/ft.
Max. Run²		65 feet	32 feet	16 feet
Cut Points		2 inch	2 inch	2 inch
CRI		80+		
Diffusion		Zero Line Diffusion™		
Dimmable		Yes		
Field Cuttable		Yes		
Dimensions		0.75 x 0.37 in. (H x W) (Strip Only)		
Environment*		Outdoor / Wet Location / IP65		
Certification		UL Listed 2108		
Warranty		5-Year Warranty		
Direction		Side bending		

***WARNING: NOT FOR USE IN SUBMERSIBLE APPLICATIONS**

NEON BLAZE™ 24V LED Strip Light

SIDE BENDING STRIP LIGHT SPECIFICATION SHEET

SKU BUILDER

DI -
 24V -
 SE -
 -
 -
 -
 -

Voltage
Chip Facing
Model
Color
Length
Driver* (Optional)
Mounting* (Optional)

MODEL	COLOR			LENGTH		DRIVER*		MOUNTING*	
NBL1	27	63	PK	Length (in.)	(Custom cut to 2 in. incremental length)	CONSTANT VOLTAGE (CV)		SIDE BENDING BOTTOM CLIP (SBC)	
NBL2	35	GN	RD	16	(Spool/NBL4 only)	ELECTRONIC (ELEC)		SIDE BENDING TOP CLIP (STC)	
NBL4	30	BL	GL	32	(Spool/NBL2 only)	MAGNETIC (MAG)		ALUMINUM CHANNEL (CHN)	
				65	(Spool/NBL1 only)	TRIAC (TRI)			
						0-10V (010)			
						SWITCHEX (SWX)			
						LUTRON (LUT)			

*Driver and Mounting selections are for specifying purposes only. Driver and mounting options must be purchased separately.

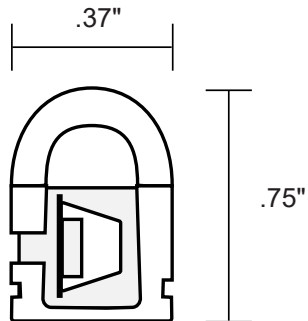
Example: DI-24V-SE-NBL2-35-16-CV-TBC = Diode LED, 24V NEON BLAZE™ 2.44 w/ft. 3500 CCT, 16.4' long , 96" Lead Wire, and with a Constant Voltage Driver, and Top Bending Bottom Clips.

NOTE: All Fully Loaded Channels include 96" lead wires.

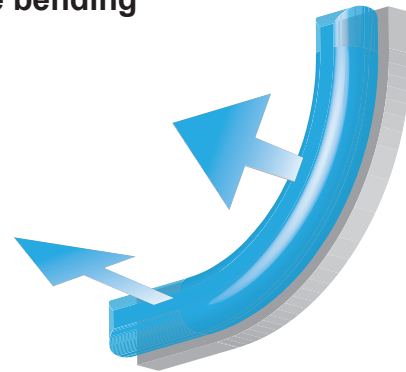
MECHANICAL DIAGRAMS

NEON BLAZE™ 24V LED Strip Light

Side bending



Side bending



NEON BLAZE™ 24V LED Strip Light

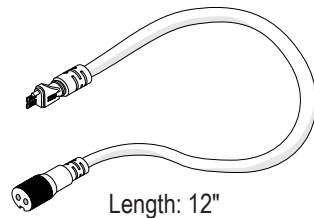
SIDE BENDING STRIP LIGHT SPECIFICATION SHEET

SIDE BENDING ACCESSORIES

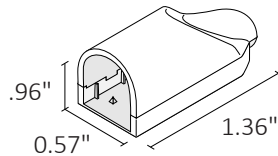
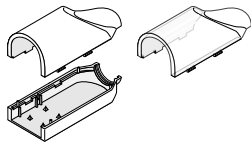
Accessories listed below are fully compatible with our BLAZE NEON™ 24V LED Strip Light product line. Further information on these products and more accessories can be found in our latest catalog or online at www.DiodeLED.com.

NEON BLAZE™ Side bending
Straight wire entry connector
DI-SE-NB-STWC-EC
(16 AWG)

NEON BLAZE™ Opaque and
frosted Side bending Straight wire
entry connector covers included.

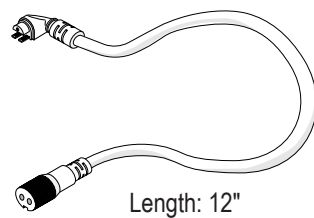


Length: 12"

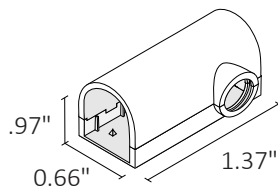
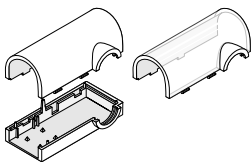


NEON BLAZE™ Side bending
Side wire entry connector
DI-SE-NB-SDWC-EC
(16 AWG)

NEON BLAZE™ Opaque and
frosted Side bending Side wire
entry connector covers included.

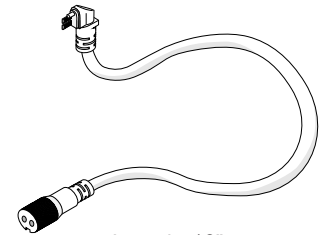


Length: 12"

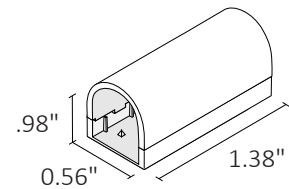
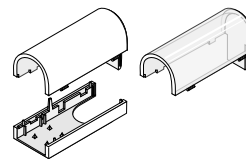


NEON BLAZE™ Side bending
Bottom wire entry connector
DI-SE-NB-BWC-EC
(16 AWG)

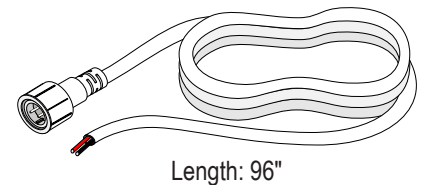
NEON BLAZE™ Opaque and
frosted Top bending Bottom wire
entry connector covers included.



Length: 12"



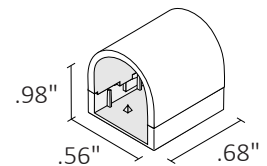
NEON BLAZE™ 96" Male Connector
DI-NB-96M-CNCT
(16 AWG)



Length: 96"

NEON BLAZE™ Side bending
End Cap
(Included with all Connectors)

DI-SE-NB-EC-5

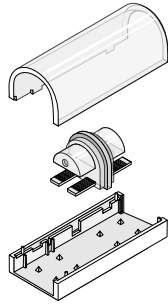
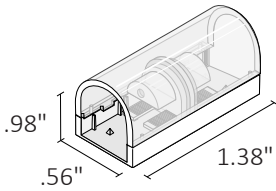


NEON BLAZE™ 24V LED Strip Light

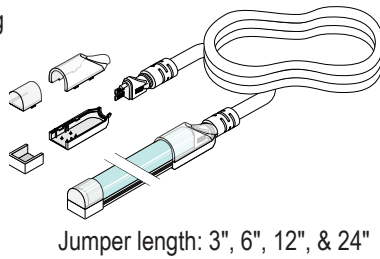
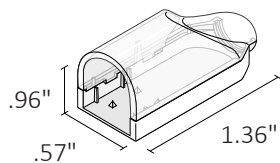
SIDE BENDING STRIP LIGHT SPECIFICATION SHEET

SIDE BENDING ACCESSORIES

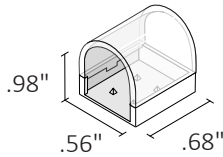
NEON BLAZE™ Side bending
Strip to Strip Frosted Connector
DI-SE-NB-TTT-2



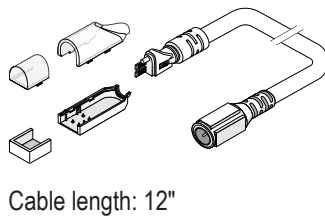
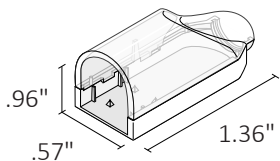
NEON BLAZE™ Side bending
Jumper with Frosted Top Cap
and End Cap
DI-SE-NB-3JPR
DI-SE-NB-6JPR
DI-SE-NB-12JPR
DI-SE-NB-24JPR
(16 AWG)



Jumper length: 3", 6", 12", & 24"

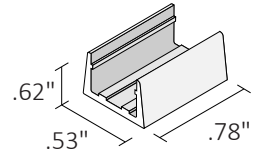


NEON BLAZE™ Side bending
Straight wire entry with Frosted
DC Barrel Plug
DI-SE-NB-SDWC-EC-FDC
(16 AWG)

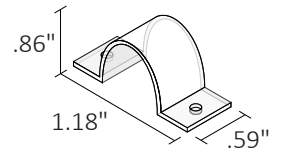


Cable length: 12"

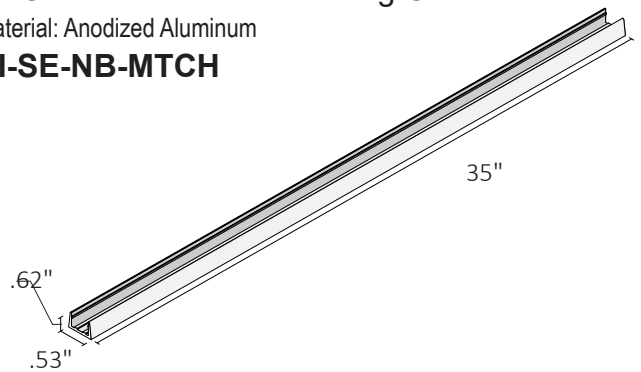
NEON BLAZE™ Side bending
Bottom U-Clip
DI-SE-NB-BUC-16



NEON BLAZE™ Side bending
Top U-Clip
DI-SE-NB-TUC-16

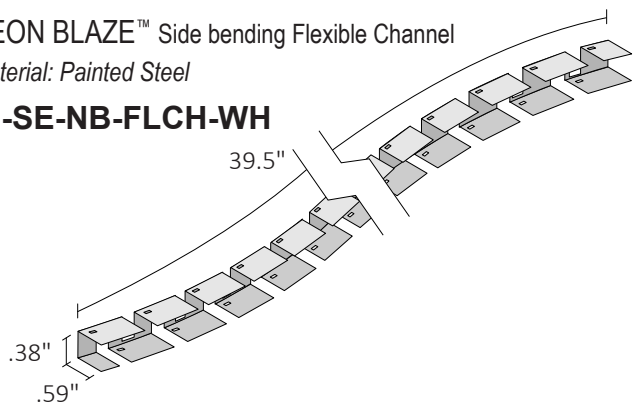


NEON BLAZE™ Side Bending Channel
Material: Anodized Aluminum
DI-SE-NB-MTCH



NEON BLAZE™ Side bending Flexible Channel
Material: Painted Steel

DI-SE-NB-FLCH-WH



NEON BLAZE™ 24V LED Strip Light

SIDE BENDING STRIP LIGHT SPECIFICATION SHEET

LED DRIVERS (Required)

The following Listed LED Drivers are recommended for compatibility and to meet NEC code when installed according to specifications. For additional LED Driver options see Diode LED's product page at: <https://www.diodeled.com/products/led-power-supplies.html>

STAND ALONE

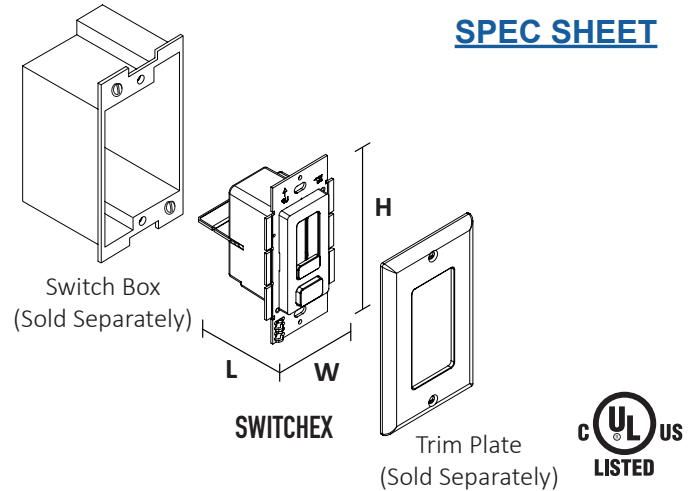
SWITCHEX® DRIVER + DIMMER SWITCH

SWITCHEX combines an LED driver and LED dimmer switch into a single integrated unit. Fits into standard switch boxes.

DI	24V	SE	60W
----	-----	----	-----

SKU	L - LENGTH	W - WIDTH	H - HEIGHT
DI-24V-SE-60W	1.40 in.	2.10 in.	4.10 in.
DI-24V-SE-100W	1.40 in.	2.10 in.	4.10 in.

Fits in Standard Switch Box



ON/OFF, DMX, & PWM CONTROL

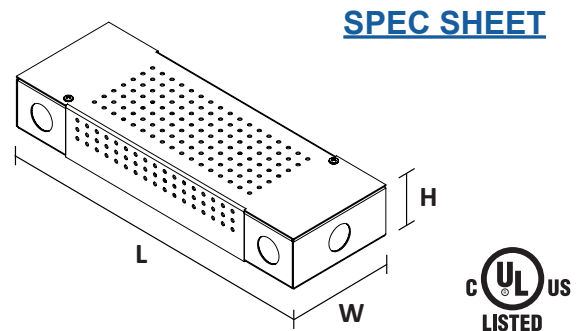
LO-PRO® JUNCTION BOX & DRIVER COMBO - 24V CONSTANT VOLTAGE LED DRIVER

Use Constant Voltage Drivers to power your lighting system. Compatible with Standard 120VAC On/Off Switches, REIGN® Low Voltage Dimmers, TOUCHDIAL™ Control System, DMX Decoders, and PWM Controls.

DI	0970	LPS
----	------	-----

Junction Box

SKU	L - LENGTH	W - WIDTH	H - HEIGHT
DI-0970-LPS	11.25 in.	3.75 in.	1.90 in.
DI-CV-MW24V60W-277-LPS	11.25 in.	3.75 in.	1.90 in.
DI-CV-MW24V90W-277-LPS	11.25 in.	3.75 in.	1.90 in.
DI-0954-LPL	13.5 in.	4.5 in.	2.37 in.



NEON BLAZE™ 24V LED Strip Light

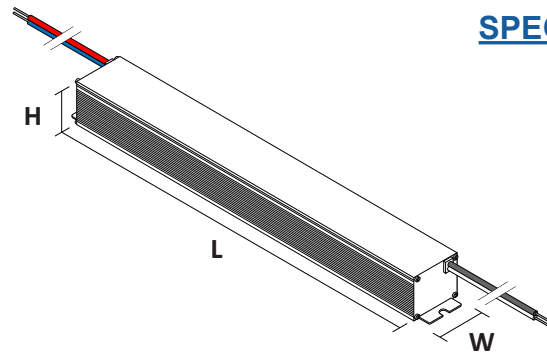
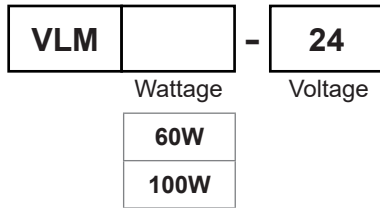
SIDE BENDING STRIP LIGHT SPECIFICATION SHEET

LED DRIVERS Cont. (Required)

ON/OFF, DMX, & PWM CONTROL (cont.)

VLM SERIES CONSTANT VOLTAGE DRIVER

Use Constant Voltage Drivers to power your low voltage tape light. Compatible with Standard 120VAC On/Off Switches, REIGN® 12-24V Low Voltage Dimmers, TOUCHDIAL™ Control System, DMX Decoders, and PWM Controls.



[SPEC SHEET](#)

SKU	L - LENGTH	W - WIDTH	H - HEIGHT
VLM60W-24	5.1 in.	.75 in.	.77 in.
VLM100W-24	5.38 in.	1 in.	.77 in.

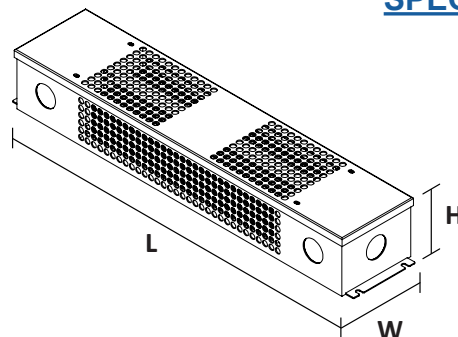


OMNIDRIVE® 2 ELECTRONIC DIMMABLE LED DRIVER

OMNIDRIVE 2 features a zero minimum load and 100-5% dimming range. Compatible with Forward Phase and Reverse Phase Dimmers. Please see Diode LED's Compatibility List at: <https://www.diodeled.com/custom/download/productFile/filename/DI-OD2-Compatibility%20List.pdf/>



SKU	L - LENGTH	W - WIDTH	H - HEIGHT
DI-OD2-24V24W	13.75 in.	3.00 in.	1.60 in.
DI-OD2-24V60W	13.75 in.	3.00 in.	1.60 in.
DI-OD2-24V96W	15.00 in.	3.10 in.	2.40 in.
DI-OD2-24V120W	15.00 in.	3.10 in.	2.40 in.
DI-OD2-24V200W	16.10 in.	3.40 in.	2.40 in.



[SPEC SHEET](#)



NEON BLAZE™ 24V LED Strip Light

SIDE BENDING STRIP LIGHT SPECIFICATION SHEET

LED DRIVERS (Required)

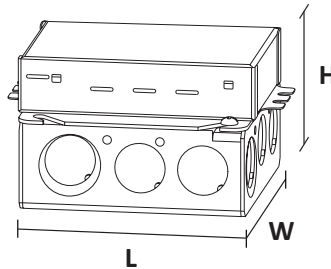
LUTRON OPTIONS

LUTRON® Hi-lume 1% LED DIMMABLE DRIVER

Hi-lume 1% LED Driver has a minimum load of 5W and dims from 100-1%.

	Voltage & Power Output	3-Wire or 2-Wire Dimmers
DI-DM	24V40W	L3D

SKU	L - LENGTH	W - WIDTH	H - HEIGHT
DI-DM-24V40W-L3D	4.89 in.	4.00 in.	2.62 in.
DI-DM-24V40W-LTE			



[L3D SPEC SHEET](#)
[LTE SPEC SHEET](#)

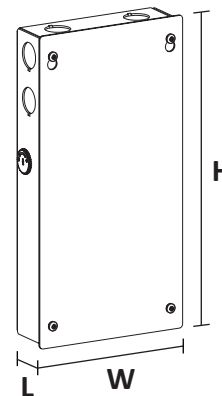


LUTRON® Hi-lume Premier 0.1% LED DIMMABLE DRIVER

Hi-Lume Premier 0.1% LED Driver has a minimum load of 5W and dims from 100-0.1%.

	Voltage & Power Output	
DI-DM	24V96W	L3D

SKU	L - LENGTH	W - WIDTH	H - HEIGHT
DI-DM-24V96W-L3D	5.50 in.	2.20 in.	10.50 in.



[SPEC SHEET](#)



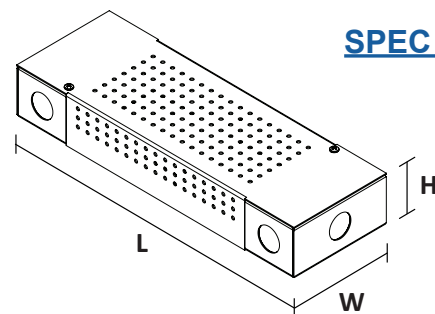
0-10V

LO-PRO® JUNCTION BOX & DRIVER COMBO - 24V COMMERCIAL GRADE 0-10V LED DIMMABLE DRIVER

Compatible with 0-10V controls and dimming systems.

			Junction Box
DI-DM	MW24V60W	0-10V	LPS

SKU	L - LENGTH	W - WIDTH	H - HEIGHT
DI-DM-MW-24V60W-0-10V-LPS	11.25 in.	3.75 in.	1.90 in.
DI-DM-MW-24V90W-0-10V-LPL	13.5 in.	4.5 in.	2.37 in.



[SPEC SHEET](#)



NEON BLAZE™ 24V LED Strip Light

SIDE BENDING STRIP LIGHT SPECIFICATION SHEET

SPECIFICATIONS

- Input: 24VDC Constant Voltage
- Material: UV/IR resistant silicone
- Mounting (sold separately): Bottom U-Clip, Top U-Clip
- Connections: **Sold Separately** (See page 3 for details)
- Ambient Temp⁴: -4 - 122°F (-20 ~ 50°C)
- Operating Temp⁵: -4 - 176°F (-20 ~ 80°C)
- Flammability⁶: Flame retardant
- UV Resistance: Yes but may still degrade over time

COMPLIANCE & REGULATORY APPROVALS

Safety

- UL Listed 2108 Low Voltage Lighting Systems. Certified for United States and Canada. File # E469769.

Performance

- LED chip data measured in accordance to IES LM-80-08.
- Photometric & Colorimetry data measured in accordance to IES LM-79-08, in Elemental LED's Innovation Lab.

COMPATIBLE DRIVERS

Additional information on compatible Drivers can be found on the Diode LED web site at: www.DiodeLED.com.

1. Lumen value measured in accordance to IES LM-79. LED chips have a luminous flux range with a tolerance of +/- 5%.
2. Each maximum run requires a dedicated power feed from the driver. Do not extend beyond the recommended maximum run length.
3. Actual efficacy value is dependent on specified LED driver (power supply). An estimated efficacy value can be calculated as follows: Lumen value divided by average power consumption per foot.
4. Do not install product in an environment outside the listed ambient temperature. Exceeding the maximum ambient temperature may damage LED chips, reduce the total lamp life, lumen output, and/or adversely impact color consistency.
5. Operating temperature is measured according to the minimum and maximum ambient temperature environment.
6. This product has been tested and passed glow-wire flammability tests (GWFI index) at 650°C/1200°F, providing an extra level of safety for common areas, hospitality, and areas of high risk fire.

NEON BLAZE™ 24V LED Strip Light

SIDE BENDING STRIP LIGHT SPECIFICATION SHEET

ADDITIONAL INFORMATION

- NEON BLAZE™ 24V LED STRIP LIGHT Installation Guide

SAFETY / WARNINGS / DISCLOSURES

1. Install in accordance with national and local electrical code regulations.
2. This product is intended to be installed and serviced by a qualified, licensed electrician.
3. Only install with a listed Class 2 DC LED Driver.
4. Not for use in or on walls of pools, fountains, or other partially or fully submersed locations.
5. Do not modify or disassemble product beyond instructions or this warranty will be void.
6. Actual color may vary from what is pictured above and on other print materials due to the limitations of photographic processes.
7. We reserve the right to modify and improve the design of our fixtures without prior notice. We cannot guarantee to match existing installed fixtures for subsequent orders or replacements in regards to product appearance, CCT, or lumen output.

WARRANTY

Limited Warranty

This product has a five (5) year limited warranty from the date of shipment. This warranty does not include the additional accessories referenced in this specification sheet. Complete warranty details for fixtures and additional accessories are available at www.diodeled.com/limited-warranty/ within the Policies section. For warranty related questions please contact product support.

Consumer's Acknowledgment

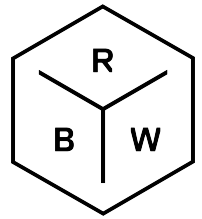
Elemental LED, Inc. stands behind its products when they are used properly and according to our specifications. By purchasing our products, the purchaser agrees and acknowledges that lighting design, configuration and installation is a complex process, wherein seemingly minor factors or changes in layout and infield adjustments can have a significant impact on an entire system. Choosing the correct components is essential. Elemental LED is able to work with the original purchaser to make an appropriate product selection to the extent of the limited information that the customer can provide, but it is virtually impossible for Elemental LED to design a system that foresees every unknown factor. For this reason, this Warranty does not cover problems caused by improper design, configuration or installation issues. Any statement from an Elemental LED employee or agent regarding a customer's bill of goods and/or purchase order is NOT an acknowledgment that the products purchased are designed and configured correctly. The purchaser agrees and acknowledges that it is the customer's responsibility to adhere strictly to all information contained in the Product Specification Sheets.

There is often more than one way to design, configure and layout an LED lighting application properly to achieve the same lighting effect. Elemental LED strongly recommends that licensed professionals be used in the design and installation of lighting systems that include Elemental LED products. The specifications include important information that a designer and installer should carefully review and strictly follow. Qualified designers and certified and/or licensed installers, with access to the final installation environment, customer goals, and Elemental LED product specifications can make the requisite decisions appropriate for a successful finished lighting application.



© 2020 Elemental LED, Inc. All rights reserved.
Specifications are subject to change without notice.

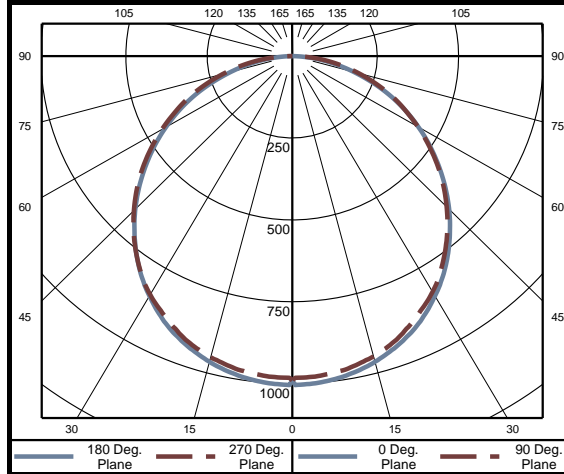
Toll Free: 877.817.6028 | Fax: 415.592.1596 | www.DiodeLED.com | info@DiodeLED.com



RBW Studio LLC
 Catalog Number
LS-4-LX-0216-DIFF (Diffuse Lens)

Electrical Test Conditions						
Temp	Voltage	Current	Power	Power Factor	Frequency	Current THD
24.9 °C	120.0 VAC	0.3043 A	36.30 W	0.994	60 Hz	6.70 %

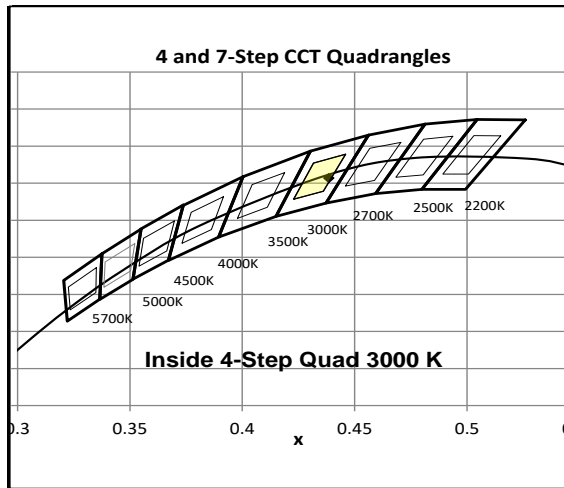
Summary of Results	
Total Lumen Output	2846 Lumens
Luminaire Efficacy	78.7 lm/w
Maximum Candela	1004 Candela
CCT	2962 K
CRI	93.9
Duv	-0.0007
TM-30 Rf	92.0
TM-30 Rg	100.0



Intensity (Candlepower) Summary		
Angle	Mean CP	Lumens
0	990	
5	986	94
10	974	
15	953	269
20	925	
25	887	409
30	843	
35	789	494
40	728	
45	661	510
50	590	
55	516	461
60	440	
65	364	360
70	285	
75	206	218
80	131	
85	61	68
90	3	

Zonal Lumen Summary		
Zone	Lumens	% Luminaire
0-30	772	26.8%
0-40	1265	43.9%
0-60	2237	77.6%
0-90	2883	100.0%
40-90	1617	56.1%
60-90	646	22.4%
90-180	0	0.0%
0-180	2883	100.0%

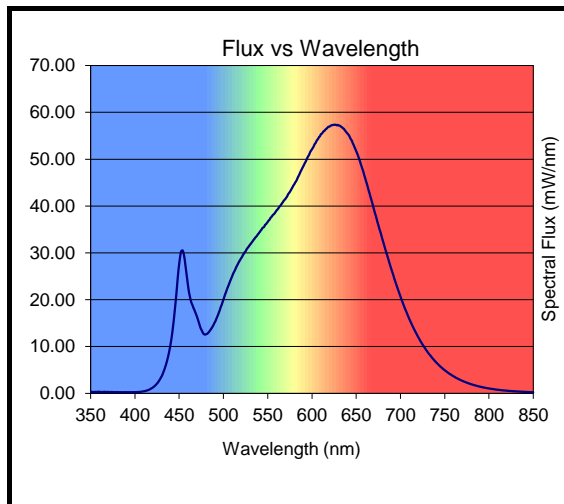
Spacing Criteria	
0-180	1.28
90-270	1.26



Average Luminance cd/m ²	
Vertical Angle	Horizontal Angle 0°
0	23240
45	22230
55	21310
65	20210
75	17910
85	14080

Color Rendering Index Details	
Ra (CRI)	93.9
R1	94.5
R2	96.8
R3	97.2
R4	94.1
R5	93.9
R6	95.5
R7	93.7
R8	85.8
R9	68.1
R10	91.2
R11	94.6
R12	80.7
R13	95.3
R14	97.7

Cone of Light Tabulation		
Mounting Height (Ft)	Footcandles at Nadir	Diameter (Ft)
4.00	61.9	5.06
6.00	27.5	7.59
8.00	15.5	10.1
10.0	9.90	12.6
12.0	6.87	15.2
14.0	5.05	17.7
16.0	3.87	20.2



Chromaticity Coordinates	
Chromaticity (x)	0.4385
Chromaticity (y)	0.4028
Chromaticity (u)	0.2521
Chromaticity (v)	0.3474
Chromaticity (u')	0.2521
Chromaticity (v')	0.5211
Duv	-0.0007

Testing was performed in accordance with LM-79-08
 The results contained in this summary pertain only to report #13515887.01



DESIGNER

David Trubridge

BRAND

David Trubridge

DESCRIPTION

The Navicula Pendant is derived from nature, in this case from one of the many microscopic diatoms that float around in the oceans. The flowing, segmented form is shipped as flatpack and assembled on site with push-in nylon clips. Thin, curved pieces of CNC-cut bamboo plywood create a flowing structure that casts magical patterns. It is lit from within with a row of LED pin-point lights. Available in all Natural, all Caramel, all White, all Black, Natural with Yellow, Red, Aqua, Blue, Pink, Orange, Lime, White, or Black. All Black includes black cord. Fixture shade ships fully assembled. ETL listed.



Shown in: Bamboo / Natural / Natural

SHADE COLOR	Natural / Natural
BODY FINISH	Bamboo
WATTAGE	8W
DIMMER	Incandescent
DIMENSIONS	57"L x 8"H x 22"D
LAMP	1 x LED/8W/24V LED

Technical Information

PRODUCT DIMENSIONS	Cable Length: 120"
---------------------------	--------------------

ITEM NUMBER	DTR568908
--------------------	-----------

COMPANY	PROJECT	FIXTURE TYPE	APPROVED BY	DATE